

SUPPLEMENT

TO THE

NEW ZEALAND GAZETTE

OF

THURSDAY, SEPTEMBER 3, 1903.

Published by Authority.

WELLINGTON, THURSDAY, SEPTEMBER 3, 1903.

CONTENTS.

	Page
Patent Office Agents appointed	1935
Complete Specifications accepted	1935
Provisional Specifications accepted	1941
Letters Patent sealed	1942
Letters Patent on which Fees have been paid	1943
Subsequent Proprietors of Letters Patent registered	1943
Clerical Error in Application for Letters Patent corrected	1943
Applications for Letters Patent abandoned	1943
Applications for Letters Patent lapsed	1943
Letters Patent void	1943
Designs registered	1943
Applications for Registration of Trade Marks	1943
Trade Marks registered	1948
Trade Mark Renewal Fees paid	1948
Trade Mark Application withdrawn	1948
Trade Mark Registration cancelled	1948
Quarterly List of Inventors*	1948
Quarterly List of Inventions*	1958
Quarterly List of Designs Applicants*	1970
Quarterly List of Trade Marks Applicants*	1970
Illustrations of Inventions	At end

Any person may, at any time within two months from the date of this *Gazette*, give me notice in writing of opposition to the grant of any such patent. Such notice must set forth the particular grounds of objection, and be in duplicate. A fee of 10s. is payable thereon.

No. 15487.—3rd October, 1902.—ROBERT SHERIFF BLACK, Dunedin, New Zealand, Rabbit-exporter. Improvements in animal-traps.*

Claims.—(1.) The general construction, arrangement, and combination of parts composing my improvements in animal-traps, all substantially as and for the purposes described with reference to the drawings. (2.) A rigid plate surrounding the tray of an animal trap such as described and filling the space between the tray and the jaws of a trap when set, said tray being adapted at one end to take under said rigid plate, substantially as and for the purposes set forth. (3.) A tray provided with an aperture for the insertion of a wire to hold same from springing whilst the trap is being covered with earth, substantially as described.

(Specification, 1s. 9d.; drawing, 1s.)

No. 15653.—19th November, 1902.—EDWIN ROBERT JENNINGS and The "PRYOJIM" SYNDICATE, LIMITED, of 3, Broad Street Buildings, London, England (assignees of John May Jameson, lately residing at Lorraine Villa, Wigston Fields, Leicester, England, Civil Engineer). Improvements in treating floor-dust, house and other refuse for making or converting it into fuel.

Claim.—The described process of treating or converting the consumable matter from floor dust and house refuse into fuel by grinding it along with charcoal and mixing therewith oil or oil refuse so that the whole mass assumes the consistency of paste in a condition for pressing, moulding, and drying.

(Specification, 2s. 3d.)

No. 15677.—25th November, 1902.—FRANK FOSTER COULSELL, LANE BRADFORD COULSELL, ALFRED CHARLES COULSELL, and HARRY WILLIAM COULSELL, all of 29, Courtney Street, North Melbourne, Victoria, Engineers and Boiler-makers. Improvements in vertical multi-tubular water column boilers.*

Claims.—(1.) In a boiler of the kind set forth, a water-chamber, having its foot forming the firebox-sides, its body fitted with upwardly extending tubes, a neck or necks forming water columns rising from the said body, and a head or steam-chamber above the said neck, substantially as de-

Patent Office Agents appointed.

Department of Justice,
Wellington, 2nd September, 1903.

HIS Excellency the Governor has been pleased to appoint

WILLIAM ARTHUR DUNBAR BANKS and
JULIUS CÆSAR MALFROY

to be Patent Office Agents at New Plymouth and Hokitika respectively.

J. MCGOWAN.

Notice of Acceptance of Complete Specifications.

Patent Office,
Wellington, 2nd September, 1903.

COMPLETE specifications relating to the undermentioned applications for Letters Patent have been accepted, and are open to public inspection at this office.

scribed. (2.) In a boiler of the kind set forth, the arrangement of the water and steam spaces respectively relatively to the passage-ways for the products of combustion, as described. (3.) In a boiler of the class described, a head *g* of less diameter than the body *a*, a neck or necks as *f*, and a smoke-box as *i*, all substantially as set forth. (4.) In a boiler of the kind set forth, the parts *a* to *g* as described, in combination.

(Specification, 2s. 6d.; drawing, 1s.)

No. 15705.—2nd December, 1902.—MARY JANE CHERRIE, Wife of Robert Cleland Cherrie, of Huntly, Waikato, New Zealand, Miner. An improved apparatus for opening oysters and the like.*

Claims.—(1.) In apparatus for opening oysters and the like, in combination, a frame, a rod sliding vertically in an opening in said frame, and having a slot near its upper end, an operating-lever passing through said slot and fulcrumed at its end in said frame, and a chisel point secured to the bottom of said sliding-rod, substantially as specified. (2.) In apparatus for opening oysters and the like, in combination, a frame, a rod sliding vertically in an opening in said frame, and having a slot near its upper end, an operating-lever passing through said slot and fulcrumed at its end in said frame, a chisel point secured to the bottom of said sliding-rod, and a spring normally tending to raise said lever, substantially as specified. (Specification, 1s. 9d.; drawing, 1s.)

No. 15744.—11th December, 1902.—EDWARD SPREY, of New Brighton, Canterbury, New Zealand, Hawker. Improved fastening for boots, shoes, and the like.*

Claims.—(1.) For the purpose indicated, guides secured upon the upper, and clips operable thereon, substantially as specified. (2.) For the purpose indicated, guides attached to the top edge of the upper of a shoe or the like upon each side, clips adjustable thereon, straps adapted to cross the instep of the wearer, secured at their ends to said clips, substantially as specified. (3.) For the purpose indicated, guides attached to the top edge of the upper of a shoe or the like upon each side, notches in said guides, clips adjustable upon said guides adapted to take into one or other of said notches, straps crossing the foot of the wearer and secured to said clips at each end, substantially as specified. (Specification, 3s.; drawing, 1s.)

No. 15747.—11th December, 1902.—ARTHUR SELDON PIKE, of 168, Tinakori Road, Wellington, New Zealand, Engineer. Driving-belt and rope tightener.*

Claims.—(1.) For the purpose indicated, a pair of clamps connected by a double-ended screw, one end having a right-hand and the other end a left-hand thread fitting corresponding nuts secured to the clamps with means for operating the screw, substantially as specified. (2.) For the purpose indicated, the parts arranged, combined, and operating substantially as specified and illustrated. (Specification, 1s. 3d.; drawing, 1s.)

No. 15976.—10th February, 1903.—JOHN REID, of Herbert, New Zealand, Labourer. Improved appliance for preventing shear-blades from crossing.*

Claims.—(1.) The general construction, arrangement, and combination of parts composing my improved appliance for preventing shear-blades from crossing, all substantially as and for the purposes described with reference to the drawing. (2.) An appliance for preventing shear-blades from crossing, consisting of a nearly rectangular-shaped piece with one leg bent double and provided with a bent piece at its end adapted to grip the knocking-piece of a blade, the other leg being provided with a bent piece adapted to grip the heel of the same blade, substantially as and for the purposes set forth. (Specification, 1s. 6d.; drawing, 1s.)

No. 16112.—20th March, 1903.—THOMAS HYDE IBBOTSON, of Gore, New Zealand, Miner. An improved device for drawing off liquids from containers.*

Claims.—(1.) For the purpose specified, a barrel adapted to project into the interior of a receptacle containing liquid, means for securing said barrel to said receptacle, a valve at the inner end of said barrel and means for operating the same, and a faucet for outflow of liquid from the barrel, substantially as specified. (2.) A device for drawing off liquid from containers, comprising the parts arranged, combined, and operating substantially as and for the purposes specified, and illustrated in the drawing. (Specification, 2s.; drawing, 1s.)

No. 16418.—29th May, 1903.—ADOLPH FREDERICK WILLIAM LORIE, of Princes Street, Dunedin, New Zealand, Gentleman. Improvements in sash-fasteners.*

Claims.—(1.) The improvements in sash-fasteners consisting of the combination and arrangement of parts illustrated in Figs. 1, 1A, 3, and 3A of the drawings, substantially as described. (2.) In a sash-fastener such as described, and illustrated in Figs. 1, 1A, 3, and 3A, a handle to the screw perforated with a slanting hole and recessed on opposite sides, a locking-pin working in said hole provided with a head having projecting side-pieces and adapted to lie in one of said recesses, and a foot adapted to engage a reversible angle-piece on the window and when withdrawn to lie in the other of said recesses, substantially as described. (3.) The improvements in sash-fasteners consisting of the combination and arrangement of parts illustrated in Figs. 5, 6, 7, and 8 of the drawings, substantially as described. (4.) In a sash-fastener such as described, and illustrated in Figs. 5 to 8, a disc at the end of a spring-actuated screw provided with a flange, a guard, and a stop, and a bracket secured to the window-frame with curved arm, under which said stop is adapted to take when the disc is revolved, substantially as described. (5.) In a sash-fastener such as described, and illustrated in Figs. 5 to 8, a disc at the end of a spring-actuated screw provided with a flange, a guard, and a stop, and a bracket secured to the window-frame with curved arm, under which said stop is adapted to take when the disc is revolved, said bracket having a curved portion in it, and a step provided with a slanting slot, substantially as and for the purposes set forth. (6.) The improvements in sash-fasteners consisting of the combination and arrangement of parts illustrated in Figs. 2, 2A, 9, 10, and 11 of the drawings, substantially as described. (7.) In a sash-fastener such as described, and illustrated in Figs. 2, 2A, 9, 10, and 11, the plate 36 provided with the staples 38 and 39, substantially as and for the purposes set forth. (8.) The improvements in sash-fasteners consisting of the combination and arrangement of parts illustrated in Fig. 4 of the drawings, substantially as described. (9.) In a sash-fastener such as described, and illustrated in Fig. 4 of the drawings, a plate provided with a perforated shank and a spring-hook, and a cord connecting the shanks of the balance-hook through the shank on said plate to the chain hanging from the disc, substantially as and for the purposes set forth. (Specification, 5s. 3d.; drawing, 1s.)

No. 16448.—13th August, 1903.—HUGH LAING MAINLAND, of Burke's, Dunedin, New Zealand, Mechanical Engineer. An improved cuff-fastener.

Claims.—(1.) In cuff-fasteners, the two button-heads and connecting-bar formed or stamped in one from sheet metal or the like, for forming a rigid fastener, all substantially as shown on the drawing, and as described and explained. (2.) In cuff-fasteners, a wire bent to form ornamental heads and also the connection-bar between said heads, all substantially as described, and shown on the drawing. (3.) In cuff-fasteners, the connecting of the heads by a bar in one piece with said heads, said bar being connected to the inner edges of heads, thus forming a thin fastener edgewise for easier introduction to a button-hole, all substantially as set forth, and as shown on the drawing. (4.) In a cuff-fastener, two button heads having the appearance of links, but joined by a rigid bar in one with them, said bar joining heads at their inner edges, all substantially as set forth. (Specification, 1s. 6d.; drawing, 1s.)

No. 16501.—17th June, 1903.—WILLIAM KINGSLAND, of 8, Brems Buildings, Chancery Lane, London, England, Electrical Engineer. Improvements in or connected with ratchet-operated electric switches.

Extract from Specification.—This invention has reference to rotary electric switches, to which uniform step-by-step motions are to be communicated for the purpose of alternately making or breaking an electric circuit, for inserting and cutting out resistances, or for other purposes. The invention specially refers to improved means for communicating to such switches the required accurately defined step-by-step rotary motions in one and the same direction, by or through the limited partial rotation of a spindle in either direction from a normal or zero position, the spindle receiving its motions from a lever or wheel operated by tappet action or otherwise. Such a mechanism comprises a casing or framework, which carries in bearings the aforesaid spindle, upon one end of which is the arm or wheel by which the spindle may be rocked. This arm or equivalent part may be operated by hand in either direction from a normal position of rest to traverse the moving part of the switch through one step of its motion, but the mechanism of the switch is very suitable for being operated by a tappet action, which renders the device

eminently applicable for use in electric traction, and then the casing may be made of such a character as to exclude from the mechanism which it contains water, earth, or other extraneous matter, and may be constructed, when used for electrical traction, to be bolted to one of the track-rails. The mechanism comprises means for automatically returning the operating-arm which is fixed upon the spindle, and consequently the spindle, to a normal position of rest after it has received a partial rotation in either direction, as well as to limit and define the extent of such angular movements of the spindle and operating-arm, and the present invention utilises the motions of that mechanism which limits the angular movements of the arm and which returns it to its normal position to actuate the novel devices hereafter described by which the rotary part of the switch directly receives its angular movement.

[NOTE.—The above extract from the specification is inserted in place of the claims.]

(Specification, 11s.; drawings, 7s.)

No. 16671.—23rd July, 1903.—JAMES BROOKS, of Wellington, New Zealand, Driver. An improved composition for cleaning harness and the like.

Claim.—A composition for the purpose, containing the ingredients of neats-foot oil, turpentine, liquid blacking or gloss, and borax washing-powder, compounded in the parts mentioned, substantially as described.

(Specification, 1s.)

No. 16739.—31st July, 1903.—ALEXANDER HARVEY, of Auckland, New Zealand, Wholesale Tinsmith (nominee of D. H. Burrell, of Little Falls, New York, United States of America, Dairy-Implement Maker; the assignee of Matthew L. Hoyt, of Birshton, Saratoga, New York aforesaid). A centrifugal liquid-separator.

Claims.—(1.) The combination with the bowl of a centrifugal liquid-separator, of a division-contrivance arranged within the liquid-space of the bowl, and consisting of a circumferential series of upright division-blades which are loosely connected with each other and capable of swinging out and supporting themselves at their outer edges against the peripheral wall of the bowl, substantially as set forth. (2.) The combination with the bowl of a centrifugal separator, of an expansible division-contrivance consisting of a series or row of division-blades connected with each other by movable joints, the ends of the series being disconnected from each other, whereby the series of blades can be arranged in the bowl circumferentially or in a circular form, and can support themselves against the inner side of the bowl, substantially as set forth. (3.) The combination with the bowl of a centrifugal liquid-separator, of a division-contrivance arranged within the liquid-space of the bowl, and consisting of a series or row of upright division-blades which intersect the radial lines of the bowl, and which are connected with each other by movable joints, substantially as set forth. (4.) The combination with the bowl of a centrifugal liquid-separator, of a division-contrivance arranged within the liquid-space of the bowl, and consisting of a series or row of upright division-blades which intersect the radial lines of the bowl and which are provided with spacing projections, and are connected with each other by movable joints, substantially as set forth. (5.) In combination with the bowl of a centrifugal liquid-separator, of a division-contrivance arranged within the liquid-space of the bowl, and consisting of a series or row of upright division-blades which intersect the radial lines of the bowl and links which connect the upright edges of adjacent blades at one side of the series or row of blades, substantially as set forth.

(Specification, 6s. 6d.; drawings, 3s.)

No. 16740.—4th August, 1903.—GEORGE GARIBALDI TURRI, of Salisbury Building, Queen Street, Melbourne, Victoria, Patent Agent (nominee of John McKay, of 3, Victoria Road, Woodstock, Cape Town, Cape Colony, South Africa, Storeman). Improvements in football-valves and connected parts.

Claims.—(1.) In combination, a casing having within it an inflation-valve (secured on its seat by a removable nut) and having an internally and externally screw-threaded stem, and at its outer end a flange having a convex outer surface, a ring fitting non-revolvably on said stem, and means to secure airtight the football-bladder between the inner surface of said flange and the said ring, as set forth. (2.) In combination, a casing having within it an inflation-valve (secured on its seat by a removable nut) and having an internally and externally screw-threaded stem, and at its inner end a flange having a convex outer surface, means for securing the outer side of the football-bladder airtight to

the inner side of said flange, a cap having an externally screw-threaded hollow shank engaging the said internal thread, and a flange convex externally and concave internally to compress the leather football-cover upon the convex surface of the flange of the aforesaid casing. (3.) The combination with the valve casing—having the inflation-valve, inner removable nut, rubber disc, outer nut, non-revoluble ring, and flange—of the screw cap—having the externally threaded hollow shank and downwardly curving flange—and the bladder and leather cover having the apertures and countersinking described, whereby the parts are secured in position as indicated.

(Specification, 4s.; drawing, 1s.)

No. 16743.—5th August, 1903.—ERNST FRIEDRICH WILHELM WIEDA, of 212, Market Street, Paterson, Passaic, New Jersey, United States of America, Candy-manufacturer. Improvements in machines for mixing the materials for making candy, dough, and other similar substances.

Claims.—(1.) The combination, with a frame, of a vessel for receiving the material to be operated upon, sets of agitators, a shaft, some of said agitators being secured fast and the others arranged to turn on said shaft, and means for oscillating said sets of agitators in reverse directions, substantially as described. (2.) The combination, with a frame, of a vessel for receiving the material to be operated upon, sets of agitators, a shaft, some of said agitators being secured fast and the others arranged to turn on said shaft, said sets of agitators being oscillatory in reverse directions, means for oscillating said shaft and the agitators carried thereby, and means for oscillating the other set of agitators, substantially as described. (3.) The combination, with a frame, of a vessel for receiving the material to be operated upon, a shaft, a set of agitators fixed on said shaft, another set of agitators alternating with said first-named agitators and arranged to turn on said shaft, means for rigidly connecting said last-named set of agitators together, and means for oscillating said sets of agitators in reverse directions, substantially as described. (4.) The combination, with a frame, of a vessel for receiving the material to be operated upon, a shaft, a set of agitators fixed on said shaft, another set of agitators alternating with said first-named agitators and arranged to turn on said shaft, a sleeve journalled on said shaft, means for rigidly connecting said last-named set of agitators together and to said sleeve, and means for oscillating said sleeve and the shaft in reverse directions, substantially as described. (5.) The combination, with a frame, of a vessel for receiving the material to be operated upon, sleeves journalled in said frame, a shaft journalled in said sleeves, a set of agitators fixed on said shaft, means for rigidly connecting said last-named set of agitators with said sleeves, and means for oscillating said sleeves and the shaft in reverse directions, substantially as described. (6.) The combination, with the frame, of rotary parts journalled in said frame, a vessel for receiving the material to be operated upon journalled on said parts, means for tilting said vessel, and a set of oscillating agitators arranged in said vessel and operatively connected with said parts so as to turn therewith, substantially as described. (7.) The combination, with the frame, of a vessel for receiving the material to be operated upon journalled in said frame, oscillating agitators arranged in said vessel, said vessel and the agitators having a common axis of movement, and means for tilting said vessel, substantially as described. (8.) In a mixing or other similar machine, the combination of an axial support and a finger or agitator carried by said support and being bent in a plane substantially at right angles to said support, substantially as described. (9.) In a mixing or other similar machine, the combination of an axial support and a pair of fingers or agitators carried by said support and each being bent toward the other in a plane substantially at right angles to said support, substantially as described. (10.) The combination of a frame, a vessel for receiving the material to be operated upon arranged in said frame, oscillating agitating-means in said vessel, means for actuating the agitating-means, a hopper disposed over said vessel, and a sifting-means disposed between the hopper and said vessel, substantially as described. (11.) The combination of a frame, a vessel for receiving the material to be operated upon arranged in said frame, oscillating agitating-means in said vessel, means for actuating the agitating-means, a hopper disposed over said vessel, a sifting-means disposed between the hopper and said vessel, and operative connecting-mechanism between the actuating-means and the sifting-means, substantially as described. (12.) The combination of a vessel for receiving the material to be operated upon, sets of agitators arranged in said vessel, means for actuating each set of agitators independently of the other, said agitators being disconnected from their actuating-means, and means for locking either one of the sets of agitators against movement, substantially as described. (13.) In a mixing or other similar machine adapted to maintain in operation a constant

circulation in the material being operated upon in a given direction, two oscillatory sets of agitators, arranged in different planes and having their adjacent portions formed as knife-edges and their rear faces corresponding, substantially as described. (14.) In a mixing or other similar machine adapted to maintain in operation a constant circulation in the material being operated upon in a given direction, the combination of the vessel in which the mixing is adapted to be effected, an oscillatory set of agitators having their acting-faces formed as knife-edges and their rear faces obtusely oblique, and scrapers formed and arranged corresponding to said agitators and wiping against the end walls of said vessel, substantially as described.

(Specification, 8s.; drawings, 2s.)

No. 16744.—5th August, 1903.—DAVID ALEXANDER POE, Manager, and WILLIAM HERMANN SCHARF, Superintendent, both of Montreal, Quebec, Canada. Linotype Machine.

Extract from Specification.—The following extract from the specification is inserted in place of the claims: A machine embodying our invention comprises in its general characteristics a series of circulating matrices, each having a female character and distributing-teeth and a series of circulating expansible spacers to be used with the matrices; a keyboard representing the various characters and spacers, and finger-keys to release them in the desired order; mechanisms for assembling the matrices and spacers in lines and for transferring the lines successively from the assembler and presenting them for alignment and justification and the action of a casting-mechanism comprising a mould which is designed to be filled with molten metal to produce the linotype or slug with its edge formed in the line of matrices; mechanisms for distributing the matrices and spacers, after the casting operation has been finished, to their respective magazines from whence they started, and mechanism for trimming the type-bars and delivering them successively into a suitable galley. Furthermore, in a machine embodying our invention, the casting, trimming, and ejecting mechanisms are arranged in a plane at an angle to the assembler or to the plane of assemblage of composition, and accordingly our invention comprises means for turning the matrix line after its composition and transferring it to the casting-mechanism, and in connection therewith various other novel devices are provided in the casting-mechanism and in the mechanisms for separating the matrices and spacers, and transferring the former to their distributing-mechanism and the latter to their magazine. In all linotype or type-casting machines prior to our invention the matrices falling from the magazine were assembled in line, and the composed line was moved forward in the plane of assemblage—i.e., in the same plane—to the casting-mechanism, and thereafter moved bodily upward and rearward to a distributing-mechanism, whereas in a machine embodying our invention the assembling-mechanism and casting-mechanism are arranged at an angle to each other, and there is also provided an intermediate assembler or line-support adapted to be turned or having an oscillating or vibratory motion in order to receive the line of matrices in one direction from the assembling-mechanism and deliver it in a different direction to the casting mechanism; and whereas also in a machine embodying our invention means are provided for turning the composed line for presenting to the casting-mechanism and thereafter turning it so that it faces in the original position for presentation to the distributing mechanism.

(Specification, £2 5s.; drawings, 9s.)

No. 16747.—5th August, 1903.—HENRY MANNING, of 46, Gray's Inn Road, London, England, Engineer. Improvements in and connected with lock-stitch sewing-machines.

Claim.—(1.) In a lock-stitch sewing-machine, the combination of a needle-bar working in vertical guides clear of and below the work-plate, and having its upper end cranked to extend over the work-plate and to hold the needle and take-up device; a cam for operating the needle-bar, attached thereto below the level of the work-plate; a shuttle-carrier consisting of a lever mounted to rock about a horizontal axis at the lower part of the machine-frame, provided with cam-surfaces whereby it may be operated, and having at its upper part a cradle adapted to carry and permit the shuttle to slide freely in contact with the shuttle-race; a presser-foot serrated to serve also as a means for feeding the work; a lever for carrying and operating the same, mounted to vibrate clear of the work-plate about and transversely of the shuttle-carrier axis, said lever being provided with cam-surfaces whereby it may be operated, and having its upper end, which carries the presser-foot, cranked to extend over the work-plate; a horizontal driving-shaft mounted beneath the work-plate; a disc fast on said shaft; cam-studs carried by said disc for operating the needle-bar cam and the presser-

foot lever respectively; and a cam on said shaft for operating the shuttle-carrier; substantially as specified. (2.) In a lock-stitch sewing-machine of the kind specified, the combination with a rocking lever having a cradle for holding the shuttle, of a spring-pressed latch adapted to normally close the rear opening of the cradle and to be retracted to permit the insertion and withdrawal of the shuttle, substantially as described. (3.) In a lock-stitch sewing-machine of the kind specified, the combination with a vertically reciprocating needle-bar having its upper end cranked to extend over the work-plate and provided at its lateral extremity with means for holding the needle, of a take-up device for the needle thread consisting of a spring arm attached at one end to the needle-bar and provided at its free end with a loop for the passage of the thread-bight formed between guide eyes on the needle-bar, as specified. (4.) In a lock-stitch sewing-machine of the kind specified, a spool-winding device consisting of a U-shaped spring frame whereof one limb is pivotally attached to the machine-frame and the other has a bearing for one of the spool pivots, and a spindle journaled in said frame and provided with spool driving and supporting means and having fast on it a pulley adapted to be frictionally driven from the main shaft of the machine, the U-shaped frame being adapted to be removably locked in the operative position by being sprung over a fixed projection on the machine-frame, as specified. (5.) In a lock-stitch sewing-machine of the kind specified, a folding crank-handle for driving the machine, so placed angularly of the driving-shaft as to act as a counterpoise to the other moving parts of the machine so as, when free, to maintain the needle in convenient position for threading, as described. (6.) The employment for actuating the sewing-mechanism proper of a sewing-machine, of independent portable treadle-operated driving-gear whereof the frame is provided with a sole-plate adapted to be held by the foot of the operator or of the table supporting the sewing-mechanism, and with a clamping-device for adjustably securing the driving-gear to the leg of the table, as described.

(Specification, 9s.; drawing, 3s.)

No. 16751.—6th August, 1903.—CHARLES WILLIAM NIELSEN, of Wellington, New Zealand, Registered Patent Agent (nominee of Frank Bunyan, of Janesville, Wisconsin, United States of America, Manufacturer). A new food product and process for preparing same.

Claims.—(1.) The described food product, consisting of flakes of potato pulp from which the water has been eliminated, and which present a bright or glazed appearance on one surface and a dull appearance on the other. (2.) The process of preparing a food product from potato which consists in softening cleaned potatoes by the application of heat, reducing said softened potatoes to the consistency of paste, thereupon spreading out such paste in thin sheets or films and applying heat to such sheets to remove the water therefrom. (3.) The process of preparing a permanent food product from potato which consists in softening cleaned potatoes by the application of heat, reducing said softened potatoes to the consistency of paste, and thereupon spreading such paste in very thin films and applying heat thereto to such an extent as to remove the water. (4.) The process of preparing a permanent food product from potato which consists in softening cleaned potatoes by the application of heat, reducing said softened potatoes to the consistency of paste, then further to the consistency of a thin pulp with the addition of water, straining such pulp, and thereupon spreading such pulp in very thin films over a highly-polished metallic surface and applying heat thereto to such extent as to remove the water.

(Specification, 3s. 3d.)

No. 16753.—6th August, 1903.—JAMES CHANNON, of "Pakenham," Hornsby, near Sydney, New South Wales, Baking-powder Manufacturer (assignee of John Joseph Russell, of Milton, New South Wales, Assistant Postmaster). Improvements in seal locks, specially applicable for strap-buckles, as of mail-buckles.

Claims.—(1.) In a seal lock, the combination with a hinged leaf or cover (having a moving belt with a pivoted catch thereon adapted to pass over a stationary stop) of an easily destroyable seal adapted to be compressed and bulged by said catch in travelling over said stop, and to recover to normal condition, substantially as described and explained. (2.) In a seal lock of the class set forth, the combination with a chamber such as 12 (adapted to receive an easily destroyable seal such as 13 to form its ceiling or top, and a stationary stop such as 22 on the floor thereof) of a bolt such as 15, a pivoted catch-piece such as 21 adapted to travel or be lifted over said stop such as 22, substantially as described and explained. (3.) A seal lock of the class set forth, consisting of

the combination or aggregation together of the mechanical parts or integers as and for the purposes set forth, substantially as described and explained, and as illustrated in the drawing.

(Specification, 3s.; drawing, 1s.)

No. 16761.—4th August, 1903.—JOHN DAVID COOMBER, of Woodhaugh, Dunedin, New Zealand, Miner. Means for raising gold, precious stones, and the like from crevices and reef-bottom covered with water.

Claims.—(1.) The general construction, arrangement, and combination of parts composing my means for raising gold, precious stones, and the like from crevices and reef-bottom covered with water, all substantially as and for the purposes described. (2.) A frame divided into compartments and adapted to retain an adhesive composition, and operatable from a suitable location, substantially as and for the purposes set forth. (3.) A frame divided into compartments and adapted to retain an adhesive composition and made flexible, and operatable from a suitable location, substantially as and for the purposes set forth. (4.) A frame divided into compartments and adapted to retain an adhesive composition, means for tipping the frame on one edge, all operatable from a suitable location, substantially as and for the purposes set forth. (5.) A cylindrical rotatable frame divided into compartments adapted to retain an adhesive composition, and operatable from a suitable location, substantially as and for the purposes set forth.

(Specification, 2s.; drawing, 1s.)

No. 16768.—7th August, 1903.—ROBERT HEPPLE ROBSON, of Waiouru, New Zealand, Shepherd, and JOSEPH COOGAN, of Taihape, New Zealand, Saddler. A safety saddle-stirrup bar.

Claim.—In means for attaching stirrup-straps to saddles, a bar adapted to support the strap and pivoted at one end to the bottom end of a double link whose top end is pivoted to the saddle, and a hook rigidly secured to the saddle and in which the free end of the bar is adapted to rest so as to hold such bar in a horizontal position, substantially as specified.

(Specification, 2s.; drawing, 1s.)

No. 16780.—14th April, 1903.—ERNEST HEINRICH WILHELM, of Marton, Rangitikei, New Zealand. Improved apparatus for castrating lambs.

Claims.—(1.) In appliances for the purpose described, pliers having cavities approximating to half-cones, so that when the pliers are closed two cavities approximating to hollow cones are formed, substantially as and for the purposes set forth. (2.) In appliances for the purpose described, pliers having cavities approximating to half-cones, and lips upon the apexes of the cones provided with rubber rings, substantially as and for the purposes set forth. (3.) In appliances for the purposes described, pliers having cavities approximating to half-cones, lips upon the apexes of the cones having transverse slots, rubber rings let into grooves around the lips and crossed into a figure-of-8 form, substantially as and for the purposes set forth. (4.) An appliance for the purpose described, comprising in combination spring-operated shears having adjustable blades and lugs upon the handles thereof, a lancet upon one of the handles, the said shears operating as pliers by means of cavities formed upon the end of the shears, substantially as and for the purposes set forth. (5.) In appliances for the purpose described, in combination, a cutter comprising a holder, a liner in the holder, an end upon the liner having a cutting-edge, and a blade pivoted to the holder, substantially as and for the purposes set forth. (6.) In appliances for the purpose described, in combination, a cutter comprising a hollow holder provided with a slot in one of its sides, a liner in the holder, an end upon the liner having a cutting-edge, a blade pivoted to the holder, a shoulder upon the blade, a screw by which the pivot-pin and liner are secured to the holder, a strap for securing the holder upon the hand of the operator, and a rubber band to prevent the same slipping over his fingers, substantially as and for the purposes set forth. (7.) In appliances for the purpose described, shears having cavities upon the ends thereof forming pliers, in combination with a cutter comprising a holder, a liner in the holder, an end upon the liner having a cutting-edge, and a blade pivoted to the holder, substantially as and for the purposes set forth. (8.) The combination and arrangement of parts comprising the improved appliances for castrating lambs, substantially as and for the purpose set forth, and illustrated on the drawing.

(Specification, 3s.; drawing, 1s.)

No. 16782.—12th August, 1903.—BALFOUR FRASER McTEAR, of Brook Cottage, Rainhill, Lancaster, England, Engineer, and HENRY CECIL WILLIAM GIBSON, of 29, Great St. Helens, London, England, Managing Director. Improvements in or connected with the manufacture of tubes or hollow bodies.

Claims.—(1.) The described improvement connected with the process of manufacturing tubes or hollow bodies, wherein they are rolled between internal and external rollers, consisting in pressing down the part of the mandrel roller which lies within its main supporting bearings by pressure acting on parts of said mandrel roller outside the said main bearings, in a contrary and parallel or oblique direction to that exerted by the main bearings on the mandrel in the rolling action, for the purposes described. (2.) In machinery for manufacturing tubes or hollow bodies, wherein the tube or body is rolled by an internal roller and an external roller, main adjusting or moving bearings mounted and working in a frame at either end of the machine, and bearings outside said frames supported by a lifting or pulling means adapted to press the ends of the mandrel roller in a direction opposite to the main bearings, substantially as described. (3.) In machinery for manufacturing tubes or hollow bodies, wherein the tube or body is rolled by an internal roller and an external roller, main mandrel-roller bearings adapted to bear upon the side of the said roller opposite the external roller, and normally upwardly pressed bearings below said main bearings, adapted to keep the mandrel roller against the bearing-parts of the main bearings, for the purposes set forth. (4.) In machinery for manufacturing tubes or hollow bodies, wherein the tube or body is rolled by a moved internal roller and an external anvil roller, the combination of the main roller and wheel bearings 5 supported in bearing-boxes or carriers 4, and the supplementary roller-bearings 28 having bearing-wheels 29, 30, normally pressed up by hydraulic rams 32, substantially as set forth. (5.) The described improvement connected with the manufacture of tubes or hollow bodies by rolling same between internal and external rollers—namely, effecting the prevention of longitudinal travel of the billet or body being rolled, and controlling the longitudinal position of same while being rolled by pressing on one end of same a greater degree than upon the other when the longitudinal travel commences or takes place—substantially as and for the purposes described. (6.) In machinery for manufacturing tubes or hollow bodies, wherein the tube or body is rolled by an internal roller and an external roller, pressing or holding the ends of the internal roller which lie outside the main bearings of this roller in a direction at about right angles to the plane in which the said internal and external rollers lie, substantially as described. (7.) In machinery for manufacturing tubes or hollow bodies, wherein the tube or body is rolled by a moved internal roller and an external anvil roller, main mandrel moving or adjusting bearings having connected with them a hydraulic ram or piston and cylinder, by which in the rolling action said bearings are pressed on to the mandrel roller, and a mechanical controlling-mechanism connecting with said bearings and ram, operated or controlled by hand, and adapted to limit and control continuously during the operation, the movement of same and the action of the hydraulic pressure. (8.) In machinery for manufacturing tubes or hollow bodies, wherein the tube or body is rolled by a moved internal mandrel roller and an external anvil roller, main mandrel-roller bearing operating hydraulic cylinders 36 and ram, disposed above said bearings and connected by rods with same, and a rotary governing and controlling mechanism on said rod, adapted to be rotated and operated by hand, substantially as set forth. (9.) In a machine for manufacturing tubes or hollow bodies, wherein the tube or body is rolled by a moved internal roller and an external anvil roller, the main bearings 4 operating in the main frames 7, the hydraulic cylinders 36 with pistons therein, rods 37 connecting said pistons and bearings, worm wheels 42 with cams on their upper surface, a cross-head or frame 39 on the rods 37, adapted to operate in connection with said cams, and worms 43 operating said worm wheels, substantially as set forth and shown in the drawings. (10.) In a machine for manufacturing tubes or hollow bodies, wherein the tube or body is rolled by a moved internal mandrel roller and an external anvil roller, the arrangement of the external mandrel-bearing 12 outside the main frames 7, supported and operated from a hydraulic ram 10 and cylinder 11, as set forth with reference to the drawings. (11.) In a machine for manufacturing tubes or hollow bodies, wherein the tube or body is rolled by a moved internal mandrel roller and an external anvil roller, side supporting-rollers 8 mounted on arms 9, supported in bearings 50, and working through right- and left-hand threaded screws 51 outside said bearings, through nuts 52 and arms mounted outside said bearings, substantially as set forth with reference to the drawings. (12.) Machinery for

rolling tubes or hollow bodies having various operative parts, disposed, arranged, and adapted to operate as set forth with reference to and shown in the drawings.

(Specification, 11s.; drawings, 3s.)

No. 16783.—12th August, 1903.—JOHN VORBACH, of Renwicktown, Marlborough, New Zealand, Blacksmith. Improvements in screw-cutting stocks and dies.

Claim.—In screw-cutting appliances having the dies or cutters fitting in radial grooves in an annular ring and adjusted in position within such grooves by means of an annular plate fitting above the ring with eccentric grooves on its under-surface in which upwardly projecting pins on the dies or cutters fit, a radial boss upon the periphery of the annular plate, a crank-arm one end of which is articulated to one of the radial faces of the boss, and a set-screw passing through the free end of the crank-arm and adapted to bear against a bearing-face projecting from the side of the annular ring, substantially as specified.

(Specification, 4s.; drawing, 1s.)

No. 16784.—12th August, 1903.—EMIL MAXIMILIAN GOLTERMANN COLEMAN, of Cromwell Buildings, corner of Bourke and Elizabeth Streets, Melbourne, Victoria, Watchmaker. Improved mechanism for automatically igniting matches at predetermined times.

Claims.—(1.) Improved mechanism for automatically igniting matches at predetermined times, consisting in a horizontal spring-operated bolt carrying a match at its forward end, said bolt being mounted in a cylinder and released by a tappet on the winding-handle of an alarm-clock, so that the match is ignited upon a yielding striking-surface and held in the desired position, substantially as set forth and illustrated. (2.) In mechanism for automatically igniting matches at predetermined times, a horizontal bolt mounted in a slotted sleeve encircled by a spiral spring arranged within a slotted cylinder having a spring buffer at its forward end and a cocking-slit at one side to engage a trigger secured to said horizontal bolt, substantially as set forth and illustrated. (3.) In mechanism for automatically igniting matches at predetermined times, a horizontal cylinder containing a spring-operated partially rotatable bolt having a hole near its forward end, beneath which is a small trough on a bracket and in front of which is a striking-surface, enclosed by a convenient cap open at its forward end for the passage of said bolt, substantially as set forth and illustrated. (4.) In mechanism for automatically igniting matches at predetermined times, an inclined adjustable striking-surface carried in a shallow tray mounted in a seating on a small bracket, the stem of said tray having a coiled spring around it and the edges of said tray being cut away forwardly and rearwardly and recessed on one side, substantially as set forth and illustrated. (5.) In mechanism for automatically igniting matches at predetermined times, a gauge-rod fitting within a sleeve on a cap on the forward end of a horizontal cylinder carrying a spring-operated bolt, said gauge-rod having its forward end bent so as when turned and locked to correctly indicate the corresponding position of the match after ignition, substantially as set forth and illustrated.

(Specification, 6s.; drawing, 1s.)

No. 16790.—7th August, 1903.—HEINRICH POETTER, of Dortmund, Germany, Engineer. The manufacture of a safety explosive or blasting substance.

Claims.—(1.) The manufacture of a safety explosive or blasting substance by the intimate mixture of ammonium-nitrate, dinitro-benzol, curouma or turmeric, and organic copper-salts as oxalate, tartrate, ferro-cyanate, benzoate, tannate, gallate or pyrogallate of copper, substantially as described. (2.) An explosive or blasting substance consisting of the ingredients described and mixed substantially in the proportions specified.

(Specification, 1s.)

No. 16794.—13th August, 1903.—WILLIAM MONTEATH, a member of the firm of C. Monteath and Sons, of Market and Cecil Streets, South Melbourne, Victoria, Ironfounder. Improvements in and relating to flushing-cisterns.

Claims.—(1.) A flushing-cistern as A having the siphon bend C seated in a depression or channel at its bottom and lying at about right angles to back of cistern, in combination with a movable bell as B, substantially as described and shown. (2.) A flushing-cistern as A having a siphon bend as C either fitted in or cast with the cistern and with the

siphon discharge-pipe next the back of cistern, substantially as described and shown. (3.) In a flushing-cistern a pull-cord lever as G carrying the bell B within the cistern, said lever having a lug as G⁸ and a pin as G⁴ on it and fitting within lugs as G¹ on edge of cistern, substantially as described and shown. (4.) In a flushing-cistern a siphon bend as C having a screwed nipple as C¹ cast in its outlet-end to allow of its being secured in cistern by nut C² and to downpipe D by coupling D¹, substantially as described and shown. (5.) The flush-water cistern having siphon bend as described, combined with the connections consisting of pipe D, bend D² having lugs D⁸ projecting from its socket, the divided clip E¹, the beaded branch E² of soil-pan, and their appurtenant parts, substantially as described, explained, and shown.

(Specification, 3s. 6d.; drawing, 2s.)

No. 16795.—13th August, 1903.—GEORGE WILLIAM BROWN, of Preston Street, South Preston, Victoria, Engineer, and GEORGE MICHAEL NORTON, of James Street, Coburg, Victoria, Currier. Improvements connected with furnace fire-bridges and adjoining parts of steam-generators.

Claims.—(1.) In devices of the class indicated, a fire-bridge apertured at its left and right, in combination with short air-inlet tubes located immediately beneath fire-bars, and outlet-tubes which connect with said inlets, and incline upwardly into the combustion-chamber, with their outlets at about the bridge-level, as set forth. (2.) In devices of the class indicated, the combination, with an apertured fire-bridge, of upwardly inclined tubes extending into the combustion-chamber to about the bridge-level, and groups of short inlet-tubes (having a common trunk) extending to said apertures from immediately under the fire-bars, as set forth. (3.) In devices of the class indicated, the combination, with the apertured fire-bridge, of the tubes inclined upward into the combustion-chamber having outlets at the end and under-side only, and groups of short inlet-tubes having trunks communicating therewith from immediately under fire-bars, as set forth. (4.) In devices of the class indicated, the combination, with the recessed and apertured fire-bridge, of groups of inlet-tubes, and brackets l supported thereby with pivots m, damper-actuating rod n, of damper-arms o, and a group of dampers p to each damper-rod, as set forth. (5.) In devices of the class indicated, the combination, with the apertured fire-bridge, of the tubes inclined upward into the combustion-chamber having outlets at the end and under-side only, and groups of short inlet-tubes having trunks, communicating therewith from immediately under fire-bars. brackets supported by said inlet-tubes, a damper-actuating rod pivoted to each said bracket, a group of damper-arms connected to each damper-rod, and a damper to each arm, substantially as and for the purposes set forth.

(Specification, 5s.; drawing, 1s.)

No. 16804.—12th August, 1903.—TURE GUSTAF RENNER-FELZ, of Broadway, 45, New York, United States of North America, Engineer. Improvements in centrifugal liquid-separators.

Claims.—(1.) A centrifugal separator provided with a separating bowl or vessel wholly yieldingly, supported by means rigidly attached to a rotatable shaft, substantially as described. (2.) In a centrifugal separator, a bowl or vessel operatively attached to a rotatable shaft by yielding means adapted to yield both in vertical and lateral directions, substantially as described. (3.) In a centrifugal separator, a bowl or vessel operatively attached to one end of a spiral spring, the other end of which is directly attached to a rotatable shaft, said spring constituting the entire means of support for the bowl or vessel, substantially as described. (4.) In a centrifugal separator, a bowl or vessel operatively connected to a rotatable shaft by yielding means only, said rotatable shaft being provided with end or thrust bearings, substantially as described. (5.) In a centrifugal separator, the combination of a driving-shaft and a bowl with laterally yielding means interposed between said shaft and the bowl, the same constituting the sole means of support for the bowl, substantially as described. (6.) In a centrifugal separator, the combination of a bowl with yielding supporting-means adapted to yield vertically and to permit the bowl or vessel when rapidly rotated to lessen the strain upon the bearings, substantially as described. (7.) In a centrifugal separator the combination of a bowl detachably connected to a support, which support is in turn yieldingly connected to a rotatable shaft, substantially as described. (8.) In a centrifugal separator, a spring, a bowl or vessel rigidly attached to one end of said spring, the other end of which is rigidly secured to a rotatable shaft, substantially as described. (9.) In a centrifugal separator, a bowl or vessel, a spiral spring rigidly secured at one end to said bowl or vessel

and at the other end to a rotatable shaft, substantially as described. (10.) In a centrifugal separator a bowl or vessel secured to the lower end of a spiral spring, the upper end of said spring being secured to a rotatable shaft at a point above the centre of gravity of the bowl or vessel and its attached parts, substantially as described. (11.) In a centrifugal separator, a rotatable shaft provided with a worm and end-bearings adapted to receive the thrust of the shaft in opposite directions, in combination with a bowl or vessel secured to one end of a spiral spring, the other end of which is secured directly to the free end of the rotatable shaft, substantially as described. (12.) In a centrifugal separator, the combination of a rotatable shaft, a spring secured to said shaft and a sleeve or tube attached to the spring, in combination with a bowl or vessel adapted to be carried by the sleeve or tube, substantially as described. (13.) In a centrifugal separator, a rotatable driving-shaft screw-threaded at one end, in combination with a spiral spring secured directly to the screw-threads of the shaft, together with a bowl or vessel secured to the other end of the spring, substantially as described. (14.) A centrifugal separator provided with a rotatable shaft having thrust-bearings and a bowl or vessel secured to the shaft, in combination with a lubricating-chamber and oil holes or ducts so arranged that all of the parts of the machine are kept continuously lubricated, substantially as described. (15.) In a centrifugal separator, the combination of a shaft provided with a driving-worm and a surrounding sleeve, together with thrust-bearings at the opposite ends of the sleeve and holes or ducts whereby continuous lubrication is effected, substantially as described. (16.) In a centrifugal separator, the combination of a rotatable shaft provided with a worm and a surrounding sleeve extending the entire length of the worm, together with thrust-bearings and means for conveying oil to all of the parts of said shaft, substantially as described.

(Specification, 8s.; drawing, 2s.)

No. 16808.—15th August, 1903.—REGENERATED COLD AIR COMPANY, a corporation duly organized and existing under the laws of the State of Maine, having their principal corporation office in the State of Maine, at Portland, in the County of Cumberland, and their main business office at 147, Milk Street, Boston, Massachusetts, United States of America, Manufacturers (assignees of Frederick White, of 650, Seventh Street, Boston aforesaid, Manufacturer). Apparatus for treating air.

Claim.—In apparatus for treating air, the combination of an air-regenerating device, means for distributing an air-changing medium over said regenerator, means for causing air from without the apparatus to travel over said medium on the regenerator, and means for returning said air to the air outside the apparatus, the distributing means being driven slowly from a shaft provided with a water-wheel which is enclosed in a casing shaped to prevent the water from swirling therein and to cause the water to discharge into the distributing-device, the whole operating to effect desired changes in the air without spattering of liquid outwardly from the apparatus.

(Specification, 4s. 6d.; drawings, 1s.)

An asterisk (*) denotes the complete specification of an invention for which a provisional specification has been already lodged.

NOTE.—The cost of copying the specification and drawings has been inserted after the notice of each application. An order for a copy or copies should be accompanied by a post-office order or postal note for the cost of copying.

The date of acceptance of each application is given after the number.

Extracts from the drawings accompanying the foregoing complete specifications appear at the end of this *Gazette*.

F. WALDEGRAVE,
Registrar.

Provisional Specifications.

Patent Office,
Wellington, 2nd September, 1903.

APPLICATIONS for Letters Patent, with provisional specifications, have been accepted as under:—

No. 16719.—31st July, 1903.—WILLIAM ERNEST HUGHES, of Queen's Chambers, Wellington, New Zealand, Patent Agent (nominee of Nurnberger Motor-Fahrzeuge-Fabrik "Union" G.m.b.H., of 42-46, Regensburger Strasse, Nuremberg, German Empire, Manufacturers; the assignees of Ludwig Maurer, of 42-46, Regensburger Strasse aforesaid, Manufacturer). Improvements in friction-gearing.

No. 16720.—31st July, 1903.—WILLIAM ERNEST HUGHES, of Queen's Chambers, Wellington, New Zealand, Patent Agent (nominee of Nurnberger Motor-Fahrzeuge-Fabrik "Union" G.m.b.H., of 42-46, Regensburger Strasse, Nuremberg, German Empire, Manufacturers; the assignees of Ludwig Maurer, of 42-46, Regensburger Strasse aforesaid, Manufacturer). Improvements in friction-gearing.

No. 16741.—1st August, 1903.—ERNEST CAMERON McALPINE, of Woolston, New Zealand, Poultry-farmer. Improvements relating to nests for poultry.

No. 16760.—4th August, 1903.—ALFRED SALIER TILLY, of Caversham, New Zealand, Builder. Improvements in taps.

No. 16763.—4th August, 1903.—MICHAEL BROWNE, of Gisborne, New Zealand, Fellmonger. An improved hairpin.

No. 16764.—7th August, 1903.—ROBERT WILLIAM GREENWOOD, of Masters Street, Greymouth, New Zealand, Railway Servant. Improved printers' quoin.

No. 16765.—7th August, 1903.—CHARLES MURRAY CRICKSHANK, of Gore, Otago, New Zealand, Builder. Improvements in water-taps.

No. 16766.—7th August, 1903.—THOMAS CARKEEK, of Otaki, New Zealand, Surveyor. An improved sighting-bar for the back sight of rifles.

No. 16767.—7th August, 1903.—WILLIAM JAMES VOWLESS, of Bunnythorpe, New Zealand, Railway Employee. Improved cycle-driving mechanism.

No. 16771.—6th August, 1903.—ALLAN LANGLEY HEIGHTON, of 231, St. Asaph Street, Christchurch, New Zealand, Salesman. An improved bill file.

No. 16772.—10th August, 1903.—PERCY HENRY SHALLER, of Auckland, New Zealand, Salesman. Improved means for extinguishing the sparks given off from locomotive and other furnaces.

No. 16773.—10th August, 1903.—REMA GINSBERG, of Wellington, New Zealand, Tinsmith. Improved means for securing spouting or pipes to the walls of buildings.

No. 16774.—6th August, 1903.—JOHN WRIGHT, of St. Heliers Bay, near Auckland, New Zealand, Builder. Improvements in wire-fencing battens.

No. 16775.—11th August, 1903.—JOHN WILLIAM HARDLEY and SAMUEL HARDLEY, both of Ashburton, Canterbury, New Zealand, Plumbers. A combined punching and shearing machine.

No. 16776.—11th August, 1903.—RUPERT HOWE SOLLITT, of Palmerston North, New Zealand, Builder and Contractor. A combined cabinet coal-scuttle.

No. 16777.—11th August, 1903.—JOSEPH BALL HOOPER, of Petone, Wellington, New Zealand, Hotelkeeper. An improved pocket case for letters, cards, and the like.

No. 16778.—11th August, 1903.—HERBERT EDWIN CREASE, of Karangahake, Ohinemuri, Auckland, New Zealand, Chemist and Druggist, and WILLIAM WILLIAMS, of Karangahake aforesaid, Contractor. Improvements relating to tooth-brushes, nail-brushes, and the like.

No. 16781.—11th August, 1903.—GEORGE SYMONS BUDGE, of Devonport, Auckland, New Zealand, Gentleman. Improved means for automatically turning the leaves of music.

No. 16785.—12th August, 1903.—GEORGE HART SAYWELL, of Feilding, New Zealand, Coachbuilder. An improved race-starting machine.

No. 16787.—7th August, 1903.—RODERICK MCKENZIE McLENNAN, of Littlebourne Road, Dunedin, New Zealand, Shipping-clerk. Improvements in and relating to calendars.

No. 16788.—8th August, 1903.—RODERICK DONALD POLSON, of Bendigo, New Zealand, Farmer and Shearer. Improvements in sheep-shears.

No. 16789.—8th August, 1903.—CHARLES LLEWELLYN WATT, of Dunedin, New Zealand, Engineer (nominee of James Dungey, of Lawrence, Otago, New Zealand, Coach-driver). Improvements in and relating to coaches and other vehicles.

No. 16791.—13th August, 1903.—EVAN LEWIS ROBERTSON, of 2, Torquay Terrace, Adelaide Road, Wellington, New Zealand, Storeman. An improved egg-carrier.

No. 16792.—13th August, 1903.—FRANCIS HENRY BLUNDILL, of Stanway, Halcombe, New Zealand, Sheep-farmer. An improved appliance for dehorning calves.

No. 16793.—13th August, 1903.—JAMES CLAUDE HENDERSON, of 46, A'Beckett Street, Melbourne, Victoria, Engineer, WALTER JAMES ANDERSON, of 59, William Street, Melbourne aforesaid, Accountant, and ERNEST SYDNEY BURMAN, of 59, William Street aforesaid, Engineer. An improved method of and apparatus for operating the presser-plates of cheese and other presses.

No. 16797.—14th August, 1903.—HIRAM JONES, of 99, South Street, Ascot Vale, Bourke, Victoria, Engineer. An improved machine for crushing and, if necessary, amalgamating metalliferous ores.

No. 16798.—13th August, 1903.—DAVID THOMPSON, of Long Acre Road, Wanganui, Wellington, New Zealand, Farmer. Improvements in fixing stabs or stakes in wire fencing.

No. 16799.—8th August, 1903.—CHARLES HENRY LOW, of Violet Street, Eden Terrace, Auckland, New Zealand, Blacksmith. A complex lever for shoeing horses.

No. 16802.—14th August, 1903.—JOHN DICKISON, Jun., of East Chatton, Otago, New Zealand, Farmer. Improvements in double ridgers.

No. 16803.—12th August, 1903.—JOHN CHARLES WILLIAM THOMPSON, of 17, David Street, Footscray, Carpenter, and JAMES HENRY SMITH, of 253, Queensberry Street, North Melbourne, Clerk, both of Victoria. An improved apparatus for regulating the feeding and watering of cattle or other animals.

No. 16805.—13th August, 1903.—CHARLES THOMAS KIERNAN, of 48, Stewart Street, Christchurch, New Zealand, Upholsterer. Improvements in easy-chairs.

No. 16806.—13th August, 1903.—CHARLES THOMAS KIERNAN, of 48, Stewart Street, Christchurch, New Zealand, Upholsterer. Improvement in extension tables.

No. 16807.—13th August, 1903.—ELIZABETH SARAH SMITH, of Timaru, New Zealand, Married Woman. An improved mechanical stirrer.

No. 16809.—17th August, 1903.—DAVID SMITH, of Kaitiaki, South Marlborough, New Zealand, Labourer. An improved fencing-standard.

No. 16810.—14th August, 1903.—THOMAS KILKELLY and MALACHY JOSEPH KILKELLY, both of Grove Bush, Southland, New Zealand, Sawmillers. Belt-fastener.

No. 16811.—14th August, 1903.—GUY HONYWOOD, of Invercargill, New Zealand, Salesman. Pulveriser for moist soft substances.

No. 16812.—14th August, 1903.—JAMES BUTLER, Labourer, and PATRICK BURKE, Millowner, both of Dacre, New Zealand. Gripper for traction-engine wheels.

No. 16813.—14th August, 1903.—CHARLES COWAN KIDD, of Spring Hills, New Zealand, Farmer, and PATRICK KILKELLY, of Gore Bush, New Zealand, Flax-miller. Improvements in ditch-ploughs.

No. 16814.—14th August, 1903.—JOHN BEWS, of Mokoreta, Southland, New Zealand, Farmer. Improvements in milking-machines.

No. 16815.—18th August, 1903.—THOMAS GORE, of Pahiatua, New Zealand, Builder. An improved commode.

No. 16817.—19th August, 1903.—UNITED SHOE MACHINERY COMPANY, of Paterson, State of New Jersey, United States of America, a corporation duly organized under the laws of said State of New Jersey, and having a place of business at 205, Lincoln Street, Boston, Massachusetts, United States of America (assignees of Ronald Francis McPeely, of Beverly, Essex, Massachusetts aforesaid, Inventor). Improvements in or relating to pulling-over and like machines.

No. 16818.—19th August, 1903.—ARTHUR JOSEPH HALL and GEORGE LEEK, both of South Hornsby, near Sydney, New South Wales, Orchardists. An improved nozzle, which is specially adapted for spraying disinfectants.

No. 16819.—19th August, 1903.—FRANK GOUGH, of German Creek, Stafford, New Zealand, Miner. A railway-level indicator.

No. 16820.—19th August, 1903.—FRANK GOUGH, of German Creek, Stafford, New Zealand, Miner. An improved milk-strainer.

No. 16821.—17th August, 1903.—WILLIAM BEAMISH, of Cromwell, Central Otago, New Zealand, Engaged in the Dredging Industry. Block for rebushing dredge buckets and links.

No. 16822.—17th August, 1903.—WILLIAM BEAMISH, of Cromwell, Central Otago, New Zealand, Engaged in the Dredging Industry. Cyclists' trouser-clip.

No. 16826.—20th August, 1903.—JOHN SHAW, of Heddon Bush, Farmer, and DUGALD MACPHERSON, of Otautau, Sawmiller, both of New Zealand. An improved spark-arrester.

No. 16827.—20th August, 1903.—FORBES BURN, Farm-manager, and WALTER SCOTT HARKNESS, Threshing-machine Proprietor, both of Glen-iti, Timaru, Canterbury, New Zealand. Calculating quantity of seed sown by agricultural seed-sowers or grain-drills, and manure sown by manure-distributors.

No. 16829.—17th August, 1903.—EDWARD ADRIAN DANE, of Belwood, Mount Roskill, Auckland, New Zealand, Carpenter, and ROBERT PEARCE GIBBONS, of View Road, Mount Eden, Auckland aforesaid, Sawmiller. A flexible metal shield tire for bicycles and other vehicles.

No. 16830.—21st August, 1903.—RICHARD FENWICK and FRED FENWICK, both of East Oxford, Canterbury, New Zealand, Farmers. Improved apparatus for coiling fencing-wire.

No. 16831.—21st August, 1903.—JOSEPH PATRICK FRENKLEY, of Trafalgar Street, South Nelson, New Zealand, Medical Practitioner. Improved means for the treatment of house and other sewage.

No. 16833.—21st August, 1903.—ALGERNON SIMPSON DEWHIRST, of Horoeka, Hawke's Bay, New Zealand, Wool-classer. An improved brooch-pin.

No. 16834.—19th August, 1903.—WILLIAM BURRELL, of 193, Abbotsford Street, North Melbourne, Victoria, Mechanic, and JAMES PARKER McMEERIN, of 547, Flinders Street, Melbourne aforesaid, Merchant. Improved packing-case or crate for cheese, and usable for other produce.

No. 16835.—19th August, 1903.—GEORGE THOMAS ALLNUTT, of Centre Dandenong Road, Cheltenham, near Melbourne, Victoria, Market-gardener, and WILLIAM EDWARD LAKE, of the same address, Creamery Employee. An improved rotary gauge for butter-cutting machines.

No. 16838.—19th August, 1903.—ARTHUR EDWARD MOSS, of 20, George Street, Dunedin, New Zealand, Electrician. An electrical-floor contact.

No. 16839.—18th August, 1903.—FRANCIS HUGH TUCKER, of Invercargill, New Zealand, Accountant. Improvements in hat-fasteners.

No. 16840.—22nd August, 1903.—WALTER ALMA TAYLOR, of Waihou, New Zealand, Farmer. Combined barbed-wire recoiler and uncoiler.

No. 16841.—22nd August, 1903.—THE CHRISTCHURCH MEAT COMPANY, LIMITED, of 161, Hereford Street, Christchurch, Canterbury, New Zealand, and DUNCAN URQUHART, of Islington, Canterbury aforesaid, Engineer. Apparatus for lifting skins, pelts, and the like from the dolly in which they are washed or treated.

No. 16843.—22nd August, 1903.—CHARLES HARRIS BURNETT, of Fordell, Wellington, New Zealand, farmer. A folding hat.

No. 16844.—22nd August, 1903.—CHARLES GORDON RALPH GORE, of Birkenhead, Auckland, New Zealand, Customhouse Officer. An improved fastening-device for windows.

No. 16845.—21st August, 1903.—DONALD McLELLAN, of Ngakawau, Nelson, New Zealand, Contractor. Improved apparatus for operating a fishing-net from the shore.

No. 16846.—21st August, 1903.—CECIL CLAUDE SMITH, of Timaru, New Zealand, Skinner. An improved solution for removing the wool from sheepskins.

No. 16848.—25th August, 1903.—WILLIAM HICKS, FRANCIS WILLIAMS, and WILLIAM BARNSDALE, all of Auckland, New Zealand. An improved extractor and clarifier combined for the treatment of animal, vegetable, or waste products.

No. 16849.—25th August, 1903.—JOHN THOMAS ELI HELLELIER, of St. Clair, Hope Street, North Brighton, Melbourne, Victoria, Commercial Traveller. A catcher and trap for house-flies, mosquitoes, and all kinds of flying insects.

No. 16850.—24th August, 1903.—ANDREW MILLER LEGGE, of 242, Montreal Street, Christchurch, New Zealand, Plumber. A bicycle-lock.

NOTE.—Provisional specifications cannot be inspected, or their contents made known by this office in any way, until the complete specifications in connection therewith have been accepted.

The date of acceptance of each application is given after the number.

F. WALDEGRAVE,
Registrar.

Letters Patent sealed.

LIST of Letters Patent sealed from the 19th August to the 2nd September, 1903, inclusive:—

No. 14531.—N. G. McKay, tin bottle for drenching horses, &c.

No. 14802.—J. Clegg, umbrella.

No. 14939.—T. Taplin, raising liquids by compressed air.

No. 14954.—M. Kennedy, washing-fluid.

No. 15052.—C. C. Kidd, ditch-plough.

No. 15119.—J. H. Stewart and W. Nicol, candlestick.

No. 15141.—J. H. S. Brown, heating fluids.

No. 15188.—R. Chambers, music-book holder.

No. 15259.—H. U. Alcock, convertible billiard and dining table.

No. 15973.—P. Hien, friction-springs.

No. 16179.—A. E. Nicolls, manufacturing manures.

No. 16324.—S. Butler, preventing skidding of motors, &c.

No. 16325.—W. Muir and C. R. E. Bell, igniting material.

No. 16326.—C. C. L. G. Budde, sterilising articles of food.

No. 16330.—C. B. Smith, sales-book (E. M. Wildey).

No. 16335.—Hon. C. A. Parsons, steam-turbine.

No. 16370.—J. Kerr, milk-strainer.

No. 16371.—J. Kerr, milking-bucket.

No. 16396.—J. Kerr, milk cooler and refrigerator.

No. 16401.—W. B. Stevenson, safety-gear for mine-skips.

No. 16403.—B. C. Mudge, flax fibre.

F. WALDEGRAVE,
Registrar.

Letters Patent on which Fees have been paid.

[NOTE.—The dates are those of the payments.]

SECOND-TERM FEES.

- NO. 11692.—E. L. Pease, roofs. 1st September, 1903.
 No. 11779.—E. Roberts, dredging-ladders. 1st September, 1903.
 No. 11847.—W. Bradley, water-tap. 19th August, 1903.
 No. 11929.—A. S. Allen, tympan of printing machinery. 19th August, 1903.
 No. 11944.—E. R. Godward, pins. 20th August, 1903.
 No. 11953.—J. Hemingway, treating fuel. 26th August, 1903.
 No. 11980.—H. A. and R. J. Hancox, rotary engine and pump. 26th August, 1903.
 No. 12025.—Wright's Taper-roller Bearings Syndicate, Limited, roller bearings. 27th August, 1903.
 No. 12055.—D. Gilmour, lumber. 26th August, 1903.
 No. 12088.—D. Gilmour, lumber. 26th August, 1903.
 No. 12115.—McKay Shoe Machinery Company, driving fastenings (L. A. Casgrain). 19th August, 1903.
 No. 12162.—McKay Shoe Machinery Company, nailing and slugging machine (W. H. Cuff). 19th August, 1903.
 No. 12173.—M. J. Davidsen, pulverising ores and cement. 28th August, 1903.
 No. 12174.—M. J. Davidsen, pulverising and mixing cement. 28th August, 1903.
 No. 12255.—V. Poulsen, receiving, storing, and reproducing messages. 26th August, 1903.

THIRD-TERM FEES.

- No. 8828.—E. B. Beecher and J. P. Wright, match-making machine. 27th August, 1903.
 No. 8831.—W. C. Peacock, disc-plough (G. Spalding and J. S. Robbins). 26th August, 1903.

F. WALDEGRAVE,
Registrar.*Subsequent Proprietors of Letters Patent registered.*

[NOTE.—The name of the patentee is given in brackets; the date is that of registration.]

Nil.
F. WALDEGRAVE,
Registrar.*Clerical Error in Application for Letters Patent corrected.*

THE request for correction of the clerical error in the specification and drawing in the following case has been allowed.

No. 15990.—C. W. STANTON.—Condensing-apparatus. (Advertised in Supplement to *New Zealand Gazette*, No. 60, of the 23rd July, 1903.)F. WALDEGRAVE,
Registrar.*Applications for Letters Patent abandoned.*

LIST of applications for Letters Patent (with which provisional specifications only have been filed) abandoned from the 19th August to the 2nd September, 1903, inclusive:—

- No. 15535.—T. Maude, atomizer.
 No. 15539.—W. S. Davey, milk cooler and filler.
 No. 15544.—W. Beamish, rebushing dredge-bucket links.
 No. 15545.—K. Davy, umbrella.
 No. 15553.—J. A. Boreham, sheep-shears (J. Boreham).
 No. 15555.—H. J. Ballin, saving carbonic-acid gas in aeration of liquids (E. P. Coulter).
 No. 15556.—H. W. Downing, saddle.
 No. 15557.—J. Harris, securing dropper to wire.
 No. 15559.—J. Mead, fastening for glass-case, &c.
 No. 15562.—A. Burt, jun., siphon flushing tank.
 No. 15564.—W. E. Hughes, milking-machine (D. R. Ross).
 No. 15565.—W. H. Gaze, gas for heating and lighting.
 No. 15566.—S. Cheney, railway-brake.
 No. 15567.—P. J. Darling, F. L. Summerton, F. J. Amos, pumping air into pneumatic tube while same is in motion.
 No. 15571.—E. Walker, potato-carrier.
 No. 15580.—T. Napier, boot-polishing machine.
 No. 15584.—J. Winter, tightening rims of wooden vehicle wheels.
 No. 15585.—A. B. Masters, water-gauge for boiler.
 No. 15587.—A. Williamson, tobacco-pipe cleaner.

F. WALDEGRAVE,
Registrar.*Applications for Letters Patent lapsed.*

LIST of applications for Letters Patent (with which complete specifications have been lodged) lapsed from the 20th August to the 2nd September, 1903, inclusive:—

- No. 14554.—A. F. W. Lorie, sash-fastener.
 No. 14555.—R. Patten, clothes-pocket.
 No. 14557.—E. Bowles, cooking-utensil.

F. WALDEGRAVE,
Registrar.*Letters Patent void.*

LIST of Letters Patent void through non-payment of renewal fees from the 20th August to the 2nd September, 1903, inclusive:—

THROUGH NON-PAYMENT OF SECOND-TERM FEES.

- No. 11638.—J. Tyson, a gold-saving and self-cloth-washing machine.
 No. 11642.—W. Norrell and J. D. Murray, treating wool locks and dags.
 No. 11647.—H. F. Band, fence-clamps (D. W. Aylworth—N. B. Leslie).
 No. 11651.—The Protective Packing-paper Company, corrugating paper (G. Leske).
 No. 11652.—The Neverslack Mattress Company Proprietary, Limited, wire bedstead (H. C. Fletcher and S. H. Cornish).
 No. 11655.—W. Lingard, boots and shoes.
 No. 11656.—L. S. de Cleene, lifting-jack.
 No. 11662.—H. G. Bedell and J. Welsby, spouting-dies.

THROUGH NON-PAYMENT OF THIRD-TERM FEES.

- No. 8512.—The Smelting Company of Australia, Limited, zinc oxide (W. H. Maseley—T. A. de Wolf).
 No. 8513.—The Smelting Company of Australia, Limited, extraction of silver, &c. (W. H. Maseley—W. A. Harper).
 No. 8518.—H. Childs, self-grip clamp.
 No. 8532.—The Oliver Mill Company, Limited, pulveriser (T. Parker).
 No. 8546.—A. N. Whitney, metallic cartridges.

F. WALDEGRAVE,
Registrar.*Designs registered.*

DESIGNS have been registered in the following names on the dates mentioned:—

- No. 188.—Taylor Brothers, of Pitt Street, Sydney, New South Wales, Manufacturing Jewellers. Class 2. 1st August, 1903.
 No. 189.—Harry Day, of 6, Willow Street, Christchurch, New Zealand, Modeller. Class 3. 14th August, 1903.
 No. 190.—Thomas Garland, of Taranaki Place, Wellington, New Zealand, Tinsmith. Class 1. 27th August, 1903.

F. WALDEGRAVE,
Registrar.*Applications for Registration of Trade Marks.*Patent Office,
Wellington, 2nd September, 1903.APPLICATIONS for registration of the following trade marks have been received. Notice of opposition to the registration of any of these applications may be lodged at this office within two months of the date of this *Gazette*. Such notice must be in duplicate, and accompanied by a fee of £1.No. of application: 4103.
Date: 23rd February, 1903.

Sir Isaac Pitman & Sons, Ltd.

The essential particular of the trade mark is the fac-simile signature "Isaac Pitman," displayed upon a parallelogrammic panel having a rectangular notch at each corner, the upper and lower portions of the panel containing scroll designs of a leaflike character, and the whole being enclosed within a double-line border; and any right to the exclusive use of the word "Shorthand" is disclaimed.

NAME.

SIR ISAAC PITMAN AND SONS, LIMITED, of the Phonetic Institute, Bath, in the County of Somerset, England, Shorthand and General Publishers and Printers.

No. of class: 39.

Description of goods: Books.

No. of application: 4208.

Date: 20th May, 1903.

TRADE MARK.

The words

MY DARLING.

NAME.

ARDATH TOBACCO COMPANY, of Worship Street, London, E.C., England, Manufacturers.

No. of class: 45.

Description of goods: Cigarettes.

No. of application: 4286.

Date: 14th July, 1903.

TRADE MARK.

JAS HENNESSY

The applicants claim that the said trade mark has been in use by them in respect of the articles mentioned since the year 1888.

NAME.

JAS. HENNESSY AND Co., of Cognac, France, Brandy-merchants.

No. of class: 43.

Description of goods: Fermented liquors and spirits, including brandy.

No. of application: 4287.

Date: 14th July, 1903.

TRADE MARK.



The applicants claim that the said trade mark has been in use by them in respect of the articles mentioned since the year 1888.

NAME.

JAS. HENNESSY AND Co., of Cognac, France, Brandy-merchants.

No. of class: 43.

Description of goods: Fermented liquors and spirits, including brandy.

No. of application: 4314.

Date: 5th August, 1903.

TRADE MARK.



NAME.

THE TEREZOL COMPANY, LIMITED, of Terezol Works, Pendleton, Manchester, Lancashire, England, Boot- and Furniture-polishes Manufacturers.

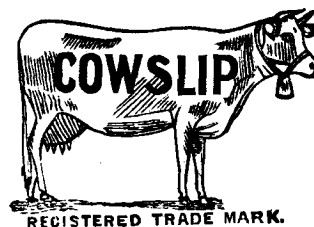
No. of class: 50.

Description of goods: Boot and furniture polishes.

No. of application: 4317.

Date: 6th August, 1903.

TRADE MARK.



REGISTERED TRADE MARK.

The essential particular of this trade mark is the device and word "Cowslip"; and any right to the exclusive use of the added matter is disclaimed.

NAME.

W. T. MURRAY AND Co., LIMITED, of Invercargill, New Zealand.

No. of class: 42.

Description of goods: Preserved milk.

No. of application : 4330.
Date : 17th August, 1903.

TRADE MARK.



The essential particular of this trade mark is the device ; and any right to the exclusive use of the added matter is disclaimed.

NAME.

RICHARD A. BRADBURY, of Christchurch, in the Colony of New Zealand, Manufacturer.

No. of class : 38.
Description of goods : Waterproof clothing.

No. of application : 4334.
Date : 20th August, 1903.

TRADE MARK.



NAME.

JOSEPH BELL and EDWARD WILLIAM ISAAC COLLINS, trading as "Bell and Co.," of Palmerston North, in the Colony of New Zealand.

No. of class : 42.
Description of goods : Unfermented cordials.

No. of application : 4336.
Date : 20th August, 1903.

TRADE MARK.

ONE CROWN



NAME.

HENRY MOLLS, trading as "Molls Brothers," of Flinders Lane, Melbourne, Victoria, Woollen-merchants.

No. of class : 34.

Description of goods : Serges, tweeds, and clothing material not made up included in this class, but excluding moleskins or goods of same description as moleskins.

No. of application : 4337.
Date : 20th August, 1903.

TRADE MARK.

TWO CROWNS



NAME.

HENRY MOLLS, trading as "Molls Brothers," of Flinders Lane, Melbourne, Victoria, Woollen-merchants.

No. of class : 34.

Description of goods : Serges, tweeds, and clothing material not made up included in this class, but excluding moleskins or goods of same description as moleskins.

No. of application : 4338.
Date : 20th August, 1903.

TRADE MARK.

THREE CROWNS



NAME.

HENRY MOLLS, trading as "Molls Brothers," of Flinders Lane, Melbourne, Victoria, Woollen-merchants.

No. of class : 34.

Description of goods : Serges, tweeds, and clothing material not made up included in this class, but excluding moleskins or goods of same description as moleskins.

No. of application: 4339.

Date: 21st August, 1903.

TRADE MARK.

FIVE CROWNS

NAME.

HENRY MOLLS, trading as "Molls Brothers," of Flinders Lane, Melbourne, Victoria, Woollen-merchants.

No. of class: 34.

Description of goods: Serges, tweeds, and clothing material not made up included in this class, but excluding moleskins or goods of same description as moleskins.

No. of application: 4340.

Date: 21st August, 1903.

TRADE MARK.

SIX CROWNS

NAME.

HENRY MOLLS, trading as "Molls Brothers," of Flinders Lane, Melbourne, Victoria, Woollen-merchants.

No. of class: 34.

Description of goods: Serges, tweeds, and clothing material not made up included in this class, but excluding moleskins or goods of same description as moleskins.

No. of application: 4342.

Date: 21st August, 1903.

TRADE MARK.

The word

IMPERIAL.

NAME.

LEAH ROBERTS, of Dunedin, New Zealand, Teacher of Dress-cutting.

No. of class: 39.

Description of goods: Dress-cutting charts and systems, and apparatus in connection therewith.

No. of application: 4345.

Date: 25th August, 1903.

TRADE MARK.

The word

DAYLIGHT.

NAME.

FREDERICK JAMES SHELTON, of Wellington, New Zealand, Importer.

No. of class: 18.

Description of goods: Acetylene-gas generators.

No. of application : 4353.
Date : 28th August, 1903.

TRADE MARK.

The word

CHAMPION.

NAME.

JAMES ERSKINE WATSON, JAMES GRAHAM, and JOHN GILKISON, trading as "J. E. Watson and Co.," having their head office at Esk Street, Invercargill, New Zealand, General Merchants.

No. of class : 47.

Description of goods : Lubricating and engineering oils of all descriptions.

No. of application : 4354.
Date : 29th August, 1903.

TRADE MARK.

The word

EXCELSIOR.

NAME.

SAMUEL ISAAC CLARKE, of Seafield View Road, Auckland, New Zealand.

No. of class : 6.

Description of goods : Lifts, hoists, and elevators.

No. of application : 4356.
Date : 31st August, 1903.

TRADE MARK.

The word

ENTERPRISE.

NAME.

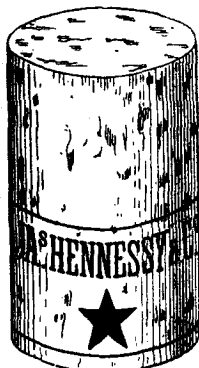
JAMES ERSKINE WATSON, JAMES GRAHAM, and JOHN GILKISON, trading as "J. E. Watson and Co.," having their head office at Esk Street, Invercargill, New Zealand, General Merchants.

No. of class : 42.

Description of goods : Substances used as food or as ingredients in food.

No. of application : 4357.
Date : 1st September, 1903.

TRADE MARK.



The applicants claim that the said trade mark has been in use by them in respect of the articles mentioned since the year 1888.

NAME.

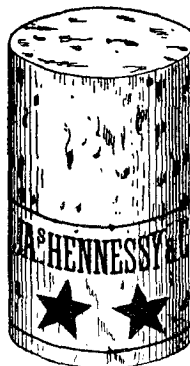
JAS. HENNESSY AND Co., of Cognac, France, Brandy-merchants.

No. of class : 43.

Description of goods : Fermented liquors and spirits, including brandy.

No. of application : 4358.
Date : 1st September, 1903.

TRADE MARK.



The applicants claim that the said trade mark has been in use by them in respect of the articles mentioned since the year 1888.

NAME.

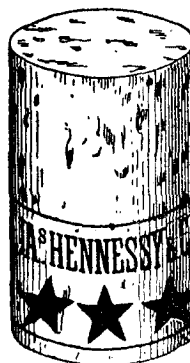
JAS. HENNESSY AND Co., of Cognac, France, Brandy-merchants.

No. of class : 43.

Description of goods : Fermented liquors and spirits, including brandy.

No. of application : 4359.
Date : 1st September, 1903.

TRADE MARK.



The applicants claim that the said trade mark has been in use by them in respect of the articles mentioned since the year 1888.

NAME.

JAS. HENNESSY AND Co., of Cognac, France, Brandy-merchants.

No. of class : 43.

Description of goods : Fermented liquors and spirits, including brandy.

Trade Marks registered.

LIST of Trade Marks registered from the 20th August to the 2nd September, 1903, inclusive:—

- No. 3288; 4206.—Lever Bros., Limited. Class 47. (*Gazette* No. 47, of 11th June, 1903.)
- No. 3289; 4207.—Lever Bros., Limited. Class 48. (*Gazette* No. 47, of 11th June, 1903.)
- No. 3290; 4223.—Sargood, Son, and Ewen. Class 38. (*Gazette* No. 47, of 11th June, 1903.)
- No. 3291; 4200.—K. S. Ramsay. Class 47. (*Gazette* No. 43, of 28th May, 1903.)
- No. 3292; 4224.—J. Lysaght, Limited. Class 5. (*Gazette* No. 47, of 11th June, 1903.)
- No. 3293; 3888.—G. H. Barker. Class 43. (*Gazette* No. 71, of 4th September, 1902.)
- No. 3294; 4213.—J. Hall and Co., Limited. Class 42. (*Gazette* No. 47, of 11th June, 1903.)
- No. 3295; 4243.—The H.O. (Hornby's Oatmeal) Company. Class 42. (*Gazette* No. 50, of 25th June, 1903.)
- No. 3296; 4237.—British-American Tobacco Company, Limited. Class 45. (*Gazette* No. 50, of 25th June, 1903.)
- No. 3297; 4238.—British-American Tobacco Company, Limited. Class 45. (*Gazette* No. 50, of 25th June, 1903.)
- No. 3298; 4239.—British-American Tobacco Company, Limited. Class 45. (*Gazette* No. 50, of 25th June, 1903.)
- No. 3299; 4241.—Barlow and Jones, Limited. Class 38. (*Gazette* No. 50, of 25th June, 1903.)

F. WALDEGRAVE,
Registrar.

Trade Mark Renewal Fees paid.

FEES paid for renewal of undermentioned trade marks for fourteen years from the 1st January, 1904:—

- No. 82/1249.—William, Earl Dudley, of Dudley, England. 26th August, 1903.
- No. 83/180.—Waukenphast and Co., of London, England. 27th August, 1903.
- No. 83/181.—D. Storer and Sons, of Sydney, New South Wales. 20th August, 1903.

- No. 84/2641.—Davies Bros. and Co., of Wolverhampton, England. 26th August, 1903.
- No. 84/2641.—George Adams and Sons, of Wolverhampton, England. 26th August, 1903.
- No. 84/4993.—T. Powell, Limited, of London, England. (Two trade marks.) 19th August, 1903.
- No. 86/1526.—D. Storer and Sons, of Sydney, New South Wales. 20th August, 1903.
- No. 86/2223.—Thomas Holloway, of London, England. (Five trade marks.) 26th August, 1903.
- No. 86/2399.—J. Pickering and Sons, Limited, of Sheffield, England. 26th August, 1903.
- No. 86/2606.—Kaiser Brauerei Beck and Co., of Bremen, Germany. 26th August, 1903.
- No. 86/3492.—J. Pickering and Sons, Limited, of Sheffield, England. 26th August, 1903.

F. WALDEGRAVE,
Registrar.

Trade Mark Application withdrawn.

THE following application for Trade Mark has been withdrawn, viz.:—

- No. 4123.—E. W. Pidgeon and Co., Limited (advertised in Supplement to *New Zealand Gazette*, No. 21, of the 19th March, 1903).

F. WALDEGRAVE,
Registrar.

Trade Mark Registration cancelled.

- No. 601/475.—William Westcombe Corpe (advertised in Supplement to *New Zealand Gazette*, No. 89, of the 10th November, 1892).

F. WALDEGRAVE,
Registrar.

[NOTE.—This notice is repeated owing to date of *Gazette* being wrongly inserted as 10th November, 1902, in last *Gazette*.]

Alphabetical List of Applicants for Letters Patent for Quarter ending 30th June, 1903.

THIS list includes also (1) applications lodged prior to but gazetted during the quarter, (2) complete specifications following provisional specifications accepted and gazetted during the quarter. Where the number and date of the *Gazette* are omitted, the application has not yet been accepted.

* Denotes a provisional specification.

† Denotes a prior date under section 106 of "The Patents, Designs, and Trade Marks Act, 1889."

Name, Address, and Invention.	Application.		Gazette.	
	No.	Date.	No.	Date.
Adams, R. N., Dunedin, N.Z. (See C. N. Scurr, Nos. 16215, 16270.)				
Adams, R. N., Dunedin, N.Z. Swinging-mirror pivot ..	16364	15 May ..	47	11 June.*
Adams, R. N., Dunedin, N.Z. (See J. R. Park, Nos. 16489, 16491.)				
Adams, R. N., Dunedin, N.Z. Caster ..	16521	17 June ..	57	9 July.*
Ainsworth, J., Bolivia, N.S.W. Road-vehicle wheel ..	16241	15 April ..	37	14 May.
Albone, D., Biggleswade, Eng. (See The Ivel Agricultural Motors, Limited, No. 16341.)				
Alcock, H. U., Melbourne, Vic. Billiard and dining-table ..	15259	12 Aug., 1902..	43	28 May.
Alcock, H. U., Melbourne, Vic. Settee and billiard-table ..	15373	6 Sept., 1902	50	25 June.
Alexander, L. W., New Plymouth, N.Z. Remoulding golf-balls ..	16277	24 April
Alkemade, P. V. L., Melbourne, Vic. Rat-trap ..	16514	18 June ..	57	9 July.*
Allen, R., Invercargill, N.Z. Teapot ..	16294	29 April ..	37	14 May.*
Alston, J., Melbourne, Vic. Changing gear for windmills ..	16208	8 April ..	33	30 April.
Ambrose, H. T., and another, Orange, U.S.A. Typewriter ..	16556	23 June ..	63	6 August.
Anderson and Co., J., Dunedin, N.Z. Rotary-pump tongue ..	16204	3 April
Anderson, J., Dunedin, N.Z. Tap, especially for dairy-work ..	16474	8 June ..	57	9 July.
Anderson, J., Christchurch, N.Z. Flax-drum truing-up machine ..	15185	29 July, 1902 ..	37	14 May.
Anderson, J., and another, Christchurch, N.Z. Switch for overhead railway	16310	7 May ..	37	14 May.*
Anderson, J. T. N., Dunedin, N.Z. Water-filter ..	15756	11 Dec., 1902..	43	28 May.
Andrew, N., and another, Wanganui, N.Z. Utilising exhaust from engine	15339	1 Sept., 1902	50	25 June.
Anketell, C., Greytown North, N.Z. Wagon-brake ..	16496	16 June ..	50	25 June.*
Anketell, C., Greytown North, N.Z. Carriage-lamp ..	16497	16 June ..	50	25 June.*
Armour, J. M., Dunedin, N.Z. Collapsible cradle, &c. ..	15304	23 Aug., 1902..	50	25 June.
Armstrong, J., Auckland, N.Z. Securing cords to window-sashes ..	15449	26 Sept., 1902	57	9 July.
Arndt, A., Sydney, N.S.W. (See J. Chambers and Son, Limited, No. 14670.)				
Arthur, E. B., Wellington, N.Z. Coal-scuttle ..	15126	17 July, 1902..	38	30 April.
Arthur, E. B., Wellington, N.Z. Pie-dish ..	15127	17 July, 1902..	38	30 April.
Aschman, A. E. M., and another, St. Albans, N.Z. Switch for overhead railway	16310	7 May ..	37	14 May.*

ALPHABETICAL LIST OF APPLICANTS FOR LETTERS PATENT—*continued.*

Name, Address, and Invention.	Application.		Gazette.	
	No.	Date.	No.	Date.
Ashcroft, R. W., and another, Palmerston North, N.Z. Milk-can lid	16452	8 June ..	57	9 July.
Ashcroft, R. W., and others, Wellington, N.Z. Putting up butter into regular quantities	16253	20 April ..	60	23 July.*
Ashcroft, R. W., and others, Wellington, N.Z. Collapsible box ..	16254	20 April ..	33	30 April.*
Ashcroft, S., and others, Wellington, N.Z. Collapsible box ..	16254	20 April ..	33	30 April.*
Ashcroft, S., and others, Wellington, N.Z. Putting up butter into regular quantities	16253	20 April ..	60	23 July.*
Ashworth, H., Wellington, N.Z. Washing and drying wool ..	16311	7 May ..	43	28 May.
Ashworth, H., Wellington, N.Z. Menu-holder ..	16432	4 June ..	47	11 June.*
Atkin, W. H., Auckland, N.Z. Smoke-consumer and draught-increaser	16379	20 May ..	47	11 June.
Australian Explosives and Chemical Company, Limited, The, Melbourne, Vic. Draining rackarock cartridges. (H. W. Gepp)	16227	15 April ..	33	30 April.*
Babcock and Wilcox, London, Eng. (See J. Chambers and Son, Limited, No. 14670.)				
Babcock and Wilcox, Limited, and another, London, Eng. Chain grate-stoker	16538	24 June
Baker, A. G., and others, Dunedin, N.Z. Shot-making machine ..	16303	1 May ..	37	14 May.*
Baker, A. G., and others, Dunedin, N.Z. Cutting material into strips	16304	1 May ..	37	14 May.*
Ball, A., Naseby, N.Z. Spring hinge ..	16355	12 May ..	43	28 May.*
Barnard, A. W. A., and another, Dunedin, N.Z. (See J. R. Park, No. 16487.)				
Barnett, C., and others, Petersham, N.S.W. Fire-escape ..	16338	13 May ..	43	28 May.
Baumgarten, H., London, Eng. Acetylene-generator and lamp ..	16506	17 June ..	57	9 July.
Baxter, R., Milton, N.Z. Oil emulsion ..	16439	1 June ..	47	11 June.*
Baxter, R., Milton, N.Z. Sash-fastener ..	16559	24 June ..	60	23 July.*
Bayley, C. H., Boston, U.S.A. (See United Shoe Machinery Company, No. 15204.)				
Beale, C., London, Eng. Preservation of food ..	15212	2 Aug., 1902..	37	14 May.
Beale, J. A., Auckland, N.Z. Oven-shelf ..	16309	7 May ..	43	28 May.
Beaumont, W., Wanganui, N.Z. Milk strainer and aerator	16363	18 May ..	47	11 June.*
Beer de. (See under D.)				
Beer, S., Kyeburn Diggings, N.Z. Elevator ..	16365	15 May ..	47	11 June.*
Belk, J. A., Feilding, N.Z. Candle-extinguisher ..	16573	30 June ..	60	23 July.*
Bell, C. R. E., and another, Bromley, England. Mechanically igniting material	16325	6 May ..	43	28 May.
Bellet, J., and another, Melbourne, Vic. Lock-nut plate ..	15623	13 Nov., 1902..	33	30 April.
Bentham, W. H., Te Araroa, N.Z. Machine for dressing flax ..	16163	1 April ..	29	16 April.*
Bernays, C. E., Brisbane, Queensland. Combustion of fuel and smoke and spark-preventer	16504	17 June ..	57	9 July.
Bettany, H. J., Nelson, N.Z. Brake-apparatus ..	16327	11 May ..	43	28 May.*
Biel, W., Itzehoe, Germany. (See A. Peppler, No. 16447.)				
Bish, G., and another, Bombay, Auckland, N.Z. Mortise-making machine	16359	13 May ..	43	28 May.*
Bish, G., and another, Auckland, N.Z. Mortising, boring, and tenon-shaping machine	16546	20 June ..	57	9 July.*
Bishop, A., Carterton, N.Z. Snatch-block ..	16298	4 May ..	43	28 May.
Blair, J. B., Indooroopilly, Queensland. Means for swinging a ship	16194	4 April ..	29	16 April.
Blaisdell, H. W., Los Angeles, U.S.A. Handling material ..	16231	15 April ..	37	14 May.
Bland, H., Waverley, N.S.W. Elastic fluid-compressor..	16193	4 April ..	29	16 April.
Booth, G. T., and another, Christchurch, N.Z. Lubricator mechanism	16445	5 June ..	50	25 June.*
Booth, J. C., Prahara, Vic. Attachment for adjusting shirt-sleeves	16351	14 May ..	43	28 May.*
Bowman, F. E., Manchester, Eng. Gas-producing plant ..	16240	15 April ..	33	30 April.
Boyd, J. A., Wellington, N.Z. Potato-cleaner ..	16386	26 May ..	47	11 June.*
Boyens, W. H., Kaikoura, N.Z. Force-pump ..	15242	11 Aug., 1902	50	25 June.
Boyens, W. H., and another, Kaikoura, N.Z. Opening and closing swing-gates	16387	26 May ..	47	11 June.*
Brady, W., Papamoa, N.Z. Horse-shoe ..	16160	1 April ..	29	16 April.*
Branford, J. W., Wanganui, N.Z. Tethering-post ..	16553	26 June ..	60	23 July.
Brent, C. D., Cromwell, N.Z. Shoe-fastener ..	16356	11 May ..	43	28 May.
Brew, W., and another, Christchurch, N.Z. Lubricator mechanism	16445	5 June ..	50	25 June.*
Bristow, C., Addington, N.Z. Butter-sizer ..	16440	5 June ..	47	11 June.*
Brooks, R. H., Auckland, N.Z. Newspaper-vending machine ..	16479	8 June ..	57	9 July.*
Brough, J., Brunswick, Vic. Bottom for wickered jars, &c. ..	16385	20 May ..	47	11 June.
Brown, H. C., Lepperton, N.Z. Bedstead ..	16481	12 June ..	50	25 June.*
Brown, J. H. S., Auckland, N.Z. Heating fluids ..	15141	22 July, 1902..	47	11 June.
Brown, R. F., Dunedin, N.Z. Terret ..	16523	18 June ..	57	9 July.*
Brownley, A. H., Onehunga, N.Z. Spring winding-apparatus for eye-class cord	16544	22 June ..	57	9 July.*
Budde, C. C. L. G., Copenhagen, Denmark. Sterilising articles of food	16326	6 May ..	43	28 May.
Buhlmann, G., Berlin, Ger. Manufacturing incandescent mantles..	15160	24 July, 1902..	37	14 May.
Bünz, C. F., Christchurch, N.Z. Medical instrument. (F. J. Rottman)	16358	15 May ..	43	28 May.*
Burrell, D. H., New York, U.S.A. (See A. Harvey, No. 16292.)				
Burrell, T., and another, North Melbourne, Vic. Boot sole and heel	15279	21 Aug., 1902..	29	16 April.
Bursill, F. W., Sedgmore, N.Z. Fencing-standard ..	16464	10 June ..	50	25 June.*
Butler, S., Bristol, Eng. Preventing "skidding" of bicycles, &c. ..	16324	6 May ..	43	28 May.
Butterick, F., Wakanui, N.Z. Cutting-mechanism of reaper ..	16431	2 June ..	47	11 June.*
Cairns, T., Auckland, N.Z. Railway-signalling appliance ..	16570	30 June ..	63	6 August.
Campbell, J., Grove Bush, N.Z. Rabbit-trap ..	15370	9 Sept., 1902..	47	11 June.
Campbell, J. P., Wellington, N.Z. Alternating electrical apparatus. (C. F. Scott)	16233	16 April ..	33	30 April.

ALPHABETICAL LIST OF APPLICANTS FOR LETTERS PATENT—*continued.*

Name, Address, and Invention.	Application.		Gazette.	
	No.	Date.	No.	Date.
Carlson, H., Dannevirke, N.Z. Hobble for horses, &c. ..	16457	9 June ..	57	9 July.*
Casgrain, L. A., Winchester, U.S.A. (See United Shoe Manufacturing Company, No. 16229.)				
Casimir, C., and another, Christchurch, N.Z. Incandescent lamp ..	16406	27 May ..	47	11 June.*
Cates, W. E. W., Bristol, Eng. (See The Vacuum Tin Syndicate Limited, No. 16180.)				
Catt, G. H., Hyde, Hampshire, Eng. Wheel of boot-finishing machine	15350	4 Sept., 1902..	43	28 May.
Challier, A. V., Aratapu, N.Z. Pick for agricultural purposes ..	16563	25 June ..	60	23 July.
Chamberlin, W. F., and another, Dayton, U.S.A. Box-making machine	16256	22 April ..	47	11 June.
Chambers, R., New Plymouth, N.Z. Music-holder ..	15188	29 July, 1902 ..	37	14 May.
Chambers and Son, Limited, J., Auckland, N.Z. Oil-separator. (Babcock and Wilcox—A. Arndt)	14670	25 March, 1902	25	2 April.
Champion, W. H., Auckland, N.Z. Harpoon ..	16265	21 April ..	33	30 April.*
Champion, W. H., Auckland, N.Z. Medicine ..	16455	4 June ..	50	25 June.
Channon, J., Hornsby, N.S.W. Sea-lock for mail-bag. (J. J. Russell)	16187	4 April ..	29	16 April.
Clancy, J. C., Melbourne, Vic. Extraction of gold, &c. ..	16583	30 June ..	60	23 July.*
Clark, D. J., New York, U.S.A. (See "Secretary," No. 16449.)				
Clarke, G. C., Hastings, N.Z. Twisting and straining wires ..	16410	29 May ..	47	11 June.*
Clarke, J. F., Woolwich, N.S.W. Weighing-machine ..	16463	10 June ..	57	9 July.
Cleveland, W. L., Fitzroy, Vic. Indoor game ..	16213	8 April ..	33	30 April.*
Cloud, J. W., London, Eng. (See The Westinghouse Brake Company, Limited, No. 16428.)				
Cobb, J. H., Christchurch, N.Z. Tobacco-plug holder and cutter. (J. Lloyd)	16291	29 April ..	37	14 May.*
Cochrane, W. H., Otahuti, N.Z. Yoking horses ..	15189	29 July, 1902 ..	37	14 May.
Coe, H., Greymouth, N.Z. Holder for nail while being driven ..	16434	4 June ..	47	11 June.*
Collins, R., Midhurst, N.Z. Toe-protector for boots and shoes ..	16393	28 May ..	47	11 June.*
Collins, W. A., Wellington, N.Z. Hanging clothes on line ..	16268	24 April ..	33	30 April.*
Congreve, R., Christchurch, N.Z. Cycle-lock ..	16377	19 May ..	43	28 May.*
Congreve, R., Christchurch, N.Z. Cycle-lock ..	16186	4 April ..	29	16 April.*
Connor, A., Dunedin, N.Z. Fire escape, extinguisher, and alarm ..	16473	8 June ..	50	25 June.*
Connstein, W., Charlottenburg, Prussia. Manufacture of fatty acids	16407	29 May ..	47	11 June.
Coop, J., Kaituna, N.Z. Feeder for sheep-dip ..	16469	9 June ..	50	25 June.*
Cooper, A., Wellington, N.Z. Vehicle-wheel lock ..	15232	7 Aug., 1902..	43	28 May.
Cooper, F., Christchurch, N.Z. Steerage-gear for sheep feeding-rack	16470	9 June
Cooper-Hewitt Electric Company, New York, U.S.A. Electric gas-lamp. (P. Cooper-Hewitt)	16234	16 April ..	33	30 April.
Cooper-Hewitt Electric Company, New York, U.S.A. (See J. T. Hunter, No. 16169.)				
Cooper-Hewitt Electric Company, New York, U.S.A. (See W. E. Hughes, No. 16230.)				
Cooper-Hewitt, P., New York, U.S.A. (See J. T. Hunter, No. 16169.)				
Cooper-Hewitt, P., New York, U.S.A. (See W. E. Hughes, No. 16230.)				
Cooper-Hewitt, P., New York, U.S.A. (See Cooper-Hewitt Electric Company, No. 16234.)				
Cooper, J., Auckland, N.Z. Gate-hinge ..	16516	16 June ..	60	23 July.
Cooze, C. J., Carterton, N.Z. Spile for beer-cask ..	16453	8 June ..	50	25 June.*
Cornell, W. A., Toorak, Vic. Attaching brake-drum to wheel-hub ..	16345	14 May ..	43	28 May.*
Cornish, T., Ballarat, Vic. Driving shafting hydraulically	16284	30 April ..	37	14 May.*
Cousens, W., Glebe, N.S.W. Windmill ..	16267	24 April ..	33	30 April.*
Coventry, J., Dunedin, N.Z. Umbrella-tip retainer ..	15989	14 February ..	50	25 June.
Cox, E. T., Yering, Vic. Wood-boring auger ..	16398	28 May ..	47	11 June.*
Crothers, J., Perth, W.A. Composition for pavements ..	16426	2 June ..	47	11 June.*
Croxford, C., and others, Dunedin, N.Z. Shot-making machine ..	16303	1 May ..	37	14 May.*
Croxford, C., and others, Dunedin, N.Z. Cutting material into strips	16304	1 May ..	37	14 May.*
Crown Cork and Seal Company, The, Baltimore, U.S.A. Bottle-closure. (R. A. Hall)	16168	2 April ..	29	16 April.
Crump, W. C., Sydney, N.S.W. Electro-medical belt ..	16476	11 June
Cubbins, T., and another, Hawthorn, Vic. Amalgamator ..	16513	18 June ..	57	9 July.*
Cummins, M., and another, Lancaster, Eng. (See W. E. Hughes, No. 16536.)				
Currie, H., Gisborne, N.Z. Cancer remedy ..	16238	15 April ..	33	30 April.*
Daft, L., and another, Middlesex, Eng. (See W. E. Hughes, No. 16076.)				
Dale, A., Morven, N.Z. Attachment-device for traces of driven horses	16555	24 June ..	60	23 July.
Dando, P. H., Whangarei, N.Z. Chamber utensil ..	15356	4 Sept., 1902	43	28 May.
Darby, T. C., and others, Wickford Junction, Eng. Implement for breaking up roads	15314	27 Aug., 1902 ..	33	30 April.
Darby, T. A., and others, Wickford Junction, Eng. Implement for breaking up roads	15314	27 Aug., 1902 ..	33	30 April.
Darby, S. C., and others, Wickford Junction, Eng. Implement for breaking up roads	15314	27 Aug., 1902 ..	33	30 April.
Davenport, E. F., Melrose, U.S.A. (See United Shoe Machinery Company, No. 15203.)				
Davidson, G., Hokitika, N.Z. Pitch-chain and sprocket ..	16568	29 June ..	60	23 July.*
Davie, L., Homefield, N.Z. Apparatus for washing crockery ..	16423	1 June ..	50	25 June.*
Davies, J. B., Malvern, Vic. (See C. F. Dunn, No. 16349.)				
Daybarn, and Co., E. A., Sydney, N.S.W. (See W. P. Maschwitz, No. 16210.)				
Dawson, W., Wanganui, N.Z. Table game ..	15458	1 Oct., 1902 ..	37	14 May.
Day, S. H., Lady Barkly, N.Z. Sheep-dipping apparatus ..	16492	11 June ..	50	25 June.*

ALPHABETICAL LIST OF APPLICANTS FOR LETTERS PATENT—*continued.*

Name, Address, and Invention.	Application.		Gazette.	
	No.	Date.	No.	Date.
De Beer, S., Roslyn, N.Z. Fire-hose coupling	16295	4 May ..	43	28 May.*
Deering, W., Evanstown, U.S.A. Twine. (G. H. Ellis) ..	16342	13 May ..	43	28 May.
De Kleist, E., North Tonawanda, U.S.A. Automatic musical-instrument	16340	13 May ..	43	28 May.
De Laval, C. G. P., Stockholm, Sweden. Distillation of zinc ..	16416	27 May ..	50	25 June.
Denney, H. H., Timaru, N.Z. Feed for grain, turnips, &c. ..	16446	5 June ..	50	25 June.*
Denniston, S. E., Avenal, N.Z. Luggage-label fastener ..	16438	5 June ..	47	11 June.*
Deutsch, I., and another. Montreal, Canada. Power-transmitting device	16350	14 May ..	47	11 June.
Devonshire, T. E., Chislehurst, Eng. Conduit for electric cable ..	16134	25 March ..	50	25 June.
Dewing, F. M., and others, Boston, U.S.A. (See Submarine Signal Company, No. 16467.)				
Dillicar, J., Taneatua, N.Z. Brand for meat	16460	9 June ..	50	25 June.*
Dixon, E. V., Opotiki, N.Z. Screw-propeller	16278	28 April ..	37	14 May.*
Dolter Electric Traction, Limited, The, London, Eng. Electric-traction system. (H. Dolter)	16283	28 April ..	37	14 May.
Dolter, H., Paris, France. (See The Dolter Electric Traction, Limited, No. 16283.)				
Donald, J. A., Potaerau, N.Z. Cow leg and tail holder ..	16529	22 June ..	60	23 July.*
Donaldson, R. R., Dunedin, N.Z. Ventilation of sewers ..	16197	6 April ..	29	16 April.
Donning, G. W., and another, East Orange, U.S.A. Typewriter ..	16556	23 June ..	63	6 August.
Doyle, R. G., Doyleston, N.Z. Preventing cow kicking while being milked	16421	1 June ..	47	11 June.*
Droutledge, H., Auckland, N.Z. Lamp-light controller ..	16530	18 June ..	57	9 July.*
Du Feu, J. N., Christchurch, N.Z. Cushion-heel for boots, &c. ..	16390	26 May ..	47	11 June.*
Duncan, J., Whangamomona, N.Z. Leggings	16499	16 June ..	50	25 June.*
Dunn, C. F., Kew, Vic. Wire-nail. (J. B. Davies)	16349	14 May ..	47	11 June.
Dunne, R., Dunedin, N.Z. Mitre-cutting machine	15176	23 July, 1902 ..	33	30 April.
Dunne, R., Dunedin, N.Z. Mitre-box	15881	15 Jan. ..	37	14 May.
Dunne, R., Dunedin, N.Z. Hinge	16313	5 May ..	37	14 May.*
Dunne, R., Dunedin, N.Z. Non-refillable bottle	16507	13 June ..	57	9 July.*
Durand, H., Timaru, N.Z. Trace-fastening	16318	7 May ..	47	11 June.
Durand, H., Timaru, N.Z. Shaft-tug	16319	7 May
Durand, H., Timaru, N.Z. Garden-shears	16320	7 May
Duryea, O. C., and another, Los Angeles, U.S.A. (See E. Phillips, No. 16400.)				
East, T. Q., Napier, N.Z. Ships' ventilators	16225	14 April ..	33	30 April.*
Eaves, E., and others, Stockport, Eng. Hydraulic press and pump	16308	7 May ..	43	28 May.
Edison Ore-milling Syndicate, Limited, London, Eng. (See E. Waters, jun., No. 16503.)				
Edison, T. A., Llewellyn Park, U.S.A. (See E. Waters, jun., No. 16503.)				
Electrical Ore-finding Company, London, Eng. (See W. E. Hughes, No. 16076.)				
Ellis, G. H., Chicago, U.S.A. (See W. Deering, No. 16342.)				
Elspass, J. H., Los Angeles, U.S.A. (See Elspass Roller Quartz-mill and Manufacturing Company, No. 16258.)				
Elspass Roller Quartz-mill and Manufacturing Company, Pueblo, U.S.A. Pulverising-mill. (J. H. Elspass)	16258	22 April ..	47	11 June.
Emmerich, R., Munich, Germany. Preservation of meat ..	16566	25 June ..	60	23 July.
Ennis, R., Barrakee, Vic. Seed-drill	16443	4 June ..	50	25 June.*
Eppler, A., Allston, U.S.A. (See United Shoe Machinery Company, No. 15103.)				
Evans, G. S., Corryong, Vic. Ratchet screw-wrench	16394	28 May ..	47	11 June.*
Falcone, A., Florence, Italy. Electric telegraph apparatus ..	16414	27 May ..	50	25 June.
Falloon, J., and another, Ballance, N.Z. Composition for destroying noxious weeds	16389	26 May ..	47	11 June.*
Fancourt, R. H., Woollahra, N.S.W. Packing cake tobacco ..	16468	6 June ..	57	9 July.
Fetherstonhaugh, E. J., and another, Montreal, Canada. Power-transmitting device	16350	14 May ..	47	11 June.
Feu, du. (See under D.)				
Fiddes, J. A., Dunedin, N.Z. Raising or lowering fireplace and fire in ranges	16323	6 May ..	37	14 May.*
Firth, J., and others, Wellington, N.Z. Locomotive-engine head-lights	16498	16 June ..	50	25 June.*
Firth, R., and others, Petone, N.Z. Locomotive-engine head-lights	16498	16 June ..	50	25 June.*
Firth, T., Wellington, N.Z. Vehicle wheel-lock and horse-stopper ..	16450	8 June ..	60	23 July.
Fisher, C. E., and others, Wellington, N.Z. Locomotive-engine head-lights	16498	16 June ..	50	25 June.*
Fisher, D. P., and another, Wellington, N.Z. Peg	16289	30 April ..	37	14 May.*
Ford, L. P., London, Eng. Manufacture of artificial-stone brick ..	16166	2 April ..	33	30 April.
Foster, J., Caversham, N.Z. Music, &c., binder	16263	18 April
Foster, J., Caversham, N.Z. Book and music binder	16329	8 May ..	43	28 May.
Fraser, D., Caversham, N.Z. Indelible carcase-brand	16218	8 April ..	33	30 April.*
Freeman, E. T., Boston, U.S.A. (See United Shoe Machinery Company, No. 15205.)				
French, A. G., Auckland, N.Z. Utilising bark of ti-tree for tanning	16408	26 May ..	47	11 June.*
Gaffney, W. A., and another, Invercargill, N.Z. Marking-tool ..	16522	20 June ..	57	9 July.*
Gaitt, L., Middlemarch, N.Z. Animal-trap	16518	17 June ..	57	9 July.*
Galbraith, D. R. S., Remuera, N.Z. Milk and other food product ..	15368	6 Sept., 1902 ..	50	25 June.
Gale, H. B., and others, Natick, U.S.A. (See Submarine Signal Company, No. 16467.)				

ALPHABETICAL LIST OF APPLICANTS FOR LETTERS PATENT—continued.

Name, Address, and Invention.	Application.		Gazette.	
	No.	Date.	No.	Date.
Gardner, C. C., Kew, Vic. Transparent oven-door ..	16525	19 June ..	60	28 July.
Gare, G. W., and another, Waipori, N.Z. Removing clay from dredge-bucket ..	15175	23 July, 1902 ..	33	30 April.
Gavin, P., Tuparoa, N.Z. Window-fastener ..	16545	22 June ..	60	23 July.*
Gepp, H. W., Deer Park, Vic. (See The Australian Explosives and Chemical Company, Limited, No. 16227.)				
Gibbons, R. P., Kopu, Thames, N.Z. Galvanic boot or shoe sole ..	16331	8 May ..	43	28 May.*
Gibbons, R. P., Kopu, Thames, N.Z. Galvanic plate for boots, &c. ..	16375	14 May ..	43	28 May.*
Gibbons, R. P., Kopu, Thames, N.Z. Water-gauge for steam-boiler ..	16425	2 June ..	50	25 June.
Gibson, H. C. W., and another, London, Eng. Manufacture of tubes ..	16161	1 April ..	29	16 April.
Giesen, C. F., Uruti Road, Taranaki, N.Z. Waterproof hood ..	16357	15 May ..	43	28 May.*
Gillies, A., Terang, Vic. Milking-apparatus ..	16348	14 May ..	43	28 May.
Gillies, A., Terang, Vic. Milking-apparatus ..	16022	25 Feb. ..	47	11 June.
Gillies, A., Terang, Vic. Pulsating teat-cups of milking apparatus ..	16378	20 May ..	47	11 June.
Glendining, E., Dunedin, N.Z. Garment-band ..	16272	22 April ..	37	14 May.*
Goodall, T., Albertown, N.Z. Animal-trap ..	16246	15 April ..	33	30 April.*
Goosman, G., Mangere, N.Z. Bag-strap ..	15196	28 July, 1902 ..	37	14 May.
Gordon, F. W., Auckland, N.Z. Wash-hand basin ..	16293	27 April ..	37	14 May.
Gorman, R. F., Waimata, N.S.W. Wire-strainer ..	16292	30 April ..	37	14 May.
Goyder, G. A., and another, Adelaide, S.A. Separation of minerals ..	16466	10 June ..	50	25 June.*
Gray, A., Manapouri Station, N.Z. Claw-hammer and staple-drawer ..	15265	15 Aug., 1902 ..	43	28 May.
Gray, A., Manapouri Station, N.Z. Saddle tool-bag ..	15266	15 Aug., 1902 ..	43	28 May.
Gray, A., Manapouri Station, N.Z. File, wire-twister, and rule ..	15267	15 Aug., 1902 ..	43	28 May.
Gray, J., Dunedin, N.Z. Seed-sower ..	16528	19 June ..	57	9 July.*
Gray, J. S., Auckland, N.Z. Luminous watch-rim and hands ..	16388	22 May ..	47	11 June.*
Green, M. R., Kensington Park, S.A. Window-lock ..	16301	6 May ..	37	14 May.*
Greenslade, J., Prebbleton, N.Z. Grain-threshing machine ..	16274	24 April ..	37	14 May.*
Grier, T. J., Laurence, U.S.A. Recovering metals from ores ..	16302	6 May ..	43	28 May.
Griffiths, F. C., New Plymouth, N.Z. Skylight ..	16383	23 May ..	47	11 June.*
Griffiths, J., and others, Petone, N.Z. Locomotive-engine headlights ..	16499	16 June ..	50	25 June.*
Groves, D. C., and another, Dunedin, N.Z. Raising sunken vessels ..	16096	16 March ..	37	14 May.
Gungall, A. F., Hawera, N.Z. Mitre-shooting block ..	16222	14 April ..	33	30 April.*
Gunthorp, H., Dunedin, N.Z. Apparatus for inhaling anæsthetics ..	16508	15 June ..	57	9 July.*
Gwillim, D., Toorak, Vic. Indoor-game apparatus ..	15341	2 Sept., 1902 ..	47	11 June.
Haines, R. T., Melbourne, Vic. Cinematographic process ..	16465	10 June ..	50	25 June.*
Hall, R. A., Baltimore, U.S.A. (See The Crown Cork and Seal Company, No. 16168.)				
Hancock, J. N., Centre Bush, Southland, N.Z. Envelope ..	15269	18 Aug., 1902 ..	43	28 May.
Hancox, W. G., Petone, N.Z. Handle and support for tins, &c. ..	16374	19 May ..	43	28 May.*
Harradence, F. W., Auckland, N.Z. Tire ..	16533	19 June ..	57	9 July.*
Harvey, A., Auckland, N.Z. Link-blade device for cream-separator. (D. H. Burrell)	16292	27 April ..	37	14 May.*
Hatmaker, J. R., London, Eng. Preserving milk, &c. (J. A. Just)	16287	30 April ..	37	14 May.
Hayes, G. H., London, Eng. Pneumatic drill, &c. ..	16209	8 April ..	33	30 April.
Hayling, H. S., St. Kilda, Vic. Tip-wagon mechanism. (A. Mansfield)	16461	10 June ..	57	9 July.
Hayward, C. E., Maungakarama, N.Z. Wire-tightening appliance)	15590	3 Nov., 1902 ..	43	28 May.
Heighton, A. L., Christchurch, N.Z. Boot-heel attachment ..	16136	24 March ..	50	25 June.
Herbert, P., Sydney, N.S.W. Tram and railway car ..	16404	28 May ..	50	25 June.*
Hessey, J., Otago, N.Z. Window-sash lock ..	16223	14 April ..	33	30 April.*
Hewitt. (See under Cooper-Hewitt.)				
Hien, P., Chicago, U.S.A. Friction-springs ..	15973	12 Feb. ..	47	11 June.
Holbourns, J. G., and another, London, Eng. Linotype machine ..	16381	22 May ..	50	25 June.
Holford, G., Auckland, N.Z. Rat-trap ..	16451	8 June ..	57	9 July.
Holland, R., Flemington, N.Z. Elevator-chain ..	15024	23 June, 1902 ..	47	11 June.
Hollinworth, W. H. H., Brisbane, Queensland. Letter-stamping machine ..	16493	12 June ..	50	25 June.*
Hoverd, H., and another, Auckland, N.Z. Stay for keeping trunk-lid open ..	16275	25 April ..	37	14 May.*
Hovey, C. C., New York, U.S.A. (See J. T. Hunter, No. 16173.)				
Hoyt, G. E., San Francisco, U.S.A. Gas or explosive engine ..	16417	27 May ..	50	25 June.
Hughes, W. E., Wellington, N.Z. Localising mineral deposits. (Electrical Ore Finding Company—L. Daft and A. Williams)	16076	11 March ..	50	25 June.
Hughes, W. E., Wellington, N.Z. Producing gas or vapour bath for electric current. (Cooper-Hewitt Electric Company—P. Cooper-Hewitt)	16230	15 April ..	57	9 July.
Hughes, W. E., Wellington, N.Z. Preserving eggs. (A. Pfaff) ..	16462	10 June ..	57	9 July.
Hughes, W. E., Wellington, N.Z. Vehicle brake. (W. C. Mitchell and M. Cummins)	16536	24 June ..	60	23 July.
Hughes, W. E., Wellington, N.Z. Controller for electric motor. (G. Westinghouse)	16537	24 June ..	60	23 July.
Humphreys, A. W., Wellington, N.Z. Vehicle brake ..	15215	2 Aug., 1902 ..	47	11 June.
Hunter, I., Dunedin, N.Z. Cuff ..	16191	4 April ..	29	16 April.*
Hunter, J. T., Wellington, N.Z. Sealing-jar for food-preserving. (C. C. Hovey-G. Lees)	16173	2 April ..	29	16 April.
Hunter, J. T., Wellington, N.Z. Transforming electrical energy. (Cooper-Hewitt Electric Company—P. Cooper-Hewitt)	16169	2 April ..	57	9 July.
Hurley, G. A., and another, Wellington, N.Z. Gold-saving apparatus)	15220	5 Aug., 1902 ..	43	28 May.
Hurst, I., Oamaru, N.Z. Fire-escape ..	16419	27 May ..	47	11 June.*
Hutton, L. S. H., Christchurch, N.Z. Lock for bicycle-wheel ..	16251	18 April ..	37	14 May.*
Ivel Agricultural Motors, Limited, London, Eng. Agricultural motor tractor. (D. Albone)	16341	13 May ..	43	28 May.

ALPHABETICAL LIST OF APPLICANTS FOR LETTERS PATENT—*continued.*

Name, Address, and Invention.	Application.		Gazette.	
	No.	Date.	No.	Date.
Jacobson, S. H., New York, U.S.A. Ventilator	16512	20 June, 1902†
Jagger, P. B., London, Eng. Non-refillable bottle	16299	6 May ..	43	28 May.
Jensen, A. E., Feilding, N.Z. Wire-fastener	16429	2 June ..	47	11 June.*
Jensen, A. E., Feilding, N.Z. Wire-clip	16430	2 June ..	47	11 June.*
Jermyn, W., Masterton, N.Z. Comb	16334	12 May ..	43	28 May.*
Jerrard, C. H., East Ham, Essex, Eng. Cleaning tram-rails	16347	14 May ..	47	11 June.
Jesson, W. G., Christchurch, N.Z. Holding doors ajar	16214	7 April ..	33	30 April.*
Johanson, E., Waiwhero, N.Z. Non-refillable bottle	16316	8 May ..	43	28 May.
Johnson, J. T., Waipori, N.Z. Driving dredge machinery by water-power	15086	3 July, 1902 ..	27	16 April.
Johnson, J., Dunedin, N.Z. Pneumatic foot	15199	30 July, 1902 ..	37	14 May.
Johnson, T. C., New Haven, U.S.A. (See Winchester Repeating Arms Company, No. 16339.)				
Johnston, J., and another, Bombay, N.Z. Mortising, boring, and tenon-shaping machine	16546	20 June ..	57	9 July.*
Jolly, H. R., Hokitika, N.Z. Hose-coupling	16500	16 June ..	63	6 August.
Jones, E., Auckland, N.Z. Sleeve-link	16532	23 June ..	57	9 July.*
Jones, T. D., and others, Sydney, N.S.W. Fire-escape	16338	13 May ..	43	28 May.
Jorgensen, O. A., and another, Wellington, N.Z. Street-cleaning machine	16567	29 June ..	66	20 Aug.
Just, J. A., Syracuse, U.S.A. (See J. R. Hatmaker, No. 16287.)				
Kelly, H. A. E., Dunedin, N.Z. Draught-creating device for register-grate	16484	9 June ..	50	25 June.*
Kelly, H. A. E., Dunedin, N.Z. Adjusting shutters of register-grate	16486	13 June ..	50	25 June.*
Kelly, J., Palmerston, N.Z. Railway bicycle-trolley	16216	7 April ..	33	30 April.*
Kelly, J. D., and another, Wellington, N.Z. Peg	16239	30 April ..	37	14 May.*
Kelly, R. D., Pigeon Bay, N.Z. Vehicle draw-gear	15254	15 Aug., 1902..	37	14 May.
Keon, W. H., and another, Dunedin, N.Z. Fire-escape	15261	15 Aug., 1902..	50	25 June.
Kerr, J., Yering, Vic. Milk-strainer	16370	19 May ..	47	11 June.
Kerr, J., Yering, Vic. Milking-bucket	16371	19 May ..	47	11 June.
Kerr, J., Yering, Vic. Milk cooler or refrigerator	16396	28 May ..	47	11 June.
Kibblewhite, J. T., and another, Petone, N.Z. Wheelbarrow	16391	27 May ..	47	11 June.*
Kibblewhite, J. T., and another, Petone, N.Z. Lifting-jack	16392	27 May ..	50	25 June.*
Kingsbeer, A. J., Palmerston North, N.Z. Bricks	16228	15 April ..	33	30 April.*
Kingsland, W., London, Eng. Electric-switch	16501	17 June ..	70	3 Sept.
Kirkpatrick-Picard, H. F., and another, London, Eng. Recovery of precious metals	16505	17 June ..	57	9 July.
Kleist, de. (See under D.)				
Koch, E. S., Wellington, N.Z. Curtain-pole	16409	29 May ..	60	23 July.
Kortlang, L., and another, Neutral Bay, N.S.W. Extension-table	15775	17 Dec., 1902..	33	30 April.
Kortlang, A., and another, Neutral Bay, N.S.W. Extension-table	15775	17 Dec., 1902..	33	30 April.
Lashlie, C., Christchurch, N.Z. Hat and clothes brush	15365	5 Sept., 1902	50	25 June.
Lattay, H. F., and another, Dunedin, N.Z. Wall and table bracket	16564	26 June ..	57	9 July.*
Laughton, E., and another, Adelaide, S.A. Separation of minerals	16466	10 June ..	50	25 June.*
Laval, De. (See under D.)				
Layton, W. J. S., Dunedin, N.Z. Tube-cleaner	16296	1 May ..	37	14 May.*
Lees, G., Chicago, U.S.A. (See J. T. Hunter, No. 16173.)				
Legge, A. M., Christchurch, N.Z. Lubricating device for wheels	16248	16 April ..	33	30 April.*
Lindmark, T. G. E., Langholmen, Sweden. Elastic fluid-turbine	16415	27 May ..	50	25 June.
Linley, F. M., Castlemaine, Vic. Shirt-fastening	16266	24 April ..	37	14 May.
Lintern, S., Strathmore, N.Z. Retaining window-sash	16255	22 April ..	33	30 April.*
Lintern, S., Strathmore, N.Z. Railway coupling	16343	13 May ..	43	28 May.*
Lister, C. A., Auckland, N.Z. Enamelled pasteboard	16199	3 April ..	29	16 April.*
Longhurst, H. A., and another, London, Eng. Linotype machine	16381	22 May ..	50	25 June.
Lorie, A. F. W., Dunedin, N.Z. Sash-fastener	16418	29 May ..	47	11 June.*
Lloyd, E. W., Bobinawarrah, Vic. Measuring milk	16346	14 May ..	43	28 May.*
Lloyd, J., Westport, N.Z. (See J. H. Cobb, No. 16291.)				
Lowry, G. A., Chicago, U.S.A. Charging fluids with gas	16569	30 June ..	60	23 July.
Lowe, W., Invercargill, N.Z. Seed-sower	16297	1 May ..	37	14 May.*
Luxford, W. L., Dannevirke, N.Z. Traction on wooden tramways	15056	30 June, 1902	29	16 April.
Macintosh, J. M., Brunswick, Vic. Sash-fastener	16372	19 May ..	43	28 May.*
Mackay, A. G., Totaranui, N.Z. Chamber utensil	16420	27 May ..	50	25 June.*
Mackay, G. W. L., Awaroa, N.Z. Signalling-target	16243	15 April ..	33	30 April.*
Mackay, G. W. L., Awaroa, N.Z. Saddle-cloth	16244	15 April ..	33	30 April.*
Madden, W., and another, Auckland, N.Z. Stay for keeping trunk-lid open	16275	25 April ..	37	14 May.*
Madder, W., New Plymouth, N.Z. Damper-frame	16373	19 May ..	47	11 June.
Maddren, W. J., and others, Wellington, N.Z. Collapsible box	16254	20 April ..	33	30 April.*
Maddren, W. J., and others, Wellington, N.Z. Putting up butter into regular quantities	16253	20 April ..	60	23 July.*
Maddren, W. J., and another, Palmerston North, N.Z. Milk-can lid	16452	8 June ..	57	9 July.
Mahoney, F. J., and another, Christchurch, N.Z. Incandescent lamp	16406	27 May ..	47	11 June.*
Mainland, H. L., Dunedin, N.Z. Cuff-fastener	16448	4 June
Mains, J., Port Chalmers, N.Z. Cross-beam for hatches	16519	17 June ..	57	9 July.*
Maniachi, A. V., Melbourne, Vic. Stove	16205	8 April ..	33	30 April.
Mansfield, A., North Fitzroy, Vic. (See H. S. Hayling, No. 16461.)				
Marshall, E., London, Eng. Stoppering bottles	16159	1 April
Maschwitz, W. P., Sydney, N.S.W. Bottle-stopper	16210	8 April ..	37	14 May.
Masters, A. P., Wellington, N.Z. Ventilator	16441	6 June ..	47	11 June.*
Mayne, W., Mildura, Vic. Engine-valve gear	16185	4 April ..	29	16 April.
Mayo, B. F., Salem, U.S.A. (See United Shoe Machinery Company, Nos. 15413 and 16207.)				

ALPHABETICAL LIST OF APPLICANTS FOR LETTERS PATENT—continued.

Name, Address, and Invention.	Application.		Gazette.	
	No.	Date.	No.	Date.
McGowan, H., East Melbourne, Vic. Linotype machine ..	15717	4 Dec., 1902..	33	30 April.
McHardy, L. H., Blackhead, N.Z. Wire-fencing standard ..	16456	6 June ..	50	25 June.
McIlwraith, Q. A., Te Pahi, N.Z. Coiling and uncoiling wires ..	15065	27 June, 1902..	47	11 June.
McIntyre, A. R., Gisborne, N.Z. Yoking-in horses ..	16480	10 June ..	57	9 July.*
McKay, J., Dunedin, N.Z. Window-lock ..	16322	6 May ..	37	14 May.*
McKenzie, A. W., and another, Timaru, N.Z. Bivalve-opener ..	15239	8 Aug., 1902..	37	14 May.
McKenzie, J. B., and another, Timaru, N.Z. Bivalve-opener ..	15239	8 Aug., 1902..	37	14 May.
McKenzie, C. R., Oroville, U.S.A. Gold-saving rifle ..	16433	4 June ..	50	25 June.
McKenzie, D., Auckland, N.Z. Coiler and spindle for wire-weaving machine ..	16454	4 June ..	50	25 June.*
McLaren, R. A., and others, Renfrew, Scotland. Chain grate-stoker ..	16538	24 June
McLauchlan, E. M., Springhills, N.Z. Buckle ..	16170	2 April ..	29	16 April.*
McLauchlan, E. M., Springhills, N.Z. Staple for bookbinding ..	16171	2 April ..	29	16 April.*
McLaughlan, E. M., Springhills, N.Z. Rivet ..	16172	2 April ..	29	16 April.*
McLean, D. W., Methven, N.Z. Gear for motors ..	16477	11 June ..	50	25 June.*
McLeod, A., Auckland, N.Z. Brand ..	16548	22 June ..	57	9 July.*
McLeod, A., Auckland, N.Z. Burner and heater ..	16547	22 June ..	57	9 July.*
McLeod, F., Wellington, N.Z. Non-refillable bottle ..	15030	23 June, 1902	33	30 April.
McLeod, M. E., Tanjil, Vic. Dress-chart ..	16183	4 April ..	29	16 April.*
McLeod, H. N., and another, Wellington, N.Z. Gold-saving apparatus ..	15220	5 Aug., 1902..	43	28 May.
McQueen, J., and others, Dunedin, N.Z. Shot-making machine ..	16303	1 May ..	37	14 May.*
McQueen, J., and others, Dunedin, N.Z. Cutting material into strips ..	16304	1 May ..	37	14 May.*
McTear, B. F., and another, Rainhill, Eng. Manufacture of tubes ..	16161	1 April ..	29	16 April.
Meddings, W. G., Auckland, N.Z. Incubator ..	16550	23 June
Meinung, H. M., Dunedin, N.Z. Generating power from tidal water ..	16543	25 June ..	57	9 July.*
Meyenberg, W. F., Tairua, N.Z. Diving-apparatus ..	16269	25 April ..	33	30 April.*
Michelli, W. T., Dunedin, N.Z. Window-fastening ..	15010	17 June, 1902..	37	14 May.
Miller, C., Nelson, N.Z. Photo, Christmas, and New Year cards ..	16542	22 June ..	63	6 August.
Miller, E. H., London, Eng. Eliminating sulphur from ores ..	16300	6 May ..	43	28 May.
Miller, T., and another, Masterton, N.Z. Composition for destroying noxious weeds ..	16389	26 May ..	47	11 June.*
Miller, W. O., and another, Dunedin, N.Z. Fire-escape ..	15261	15 Aug., 1902..	50	25 June.
Millsom, T. C., St. Kilda, Vic. Cure for deafness ..	16475	10 June ..	50	25 June.*
Mitchell, W. C., and another, Lancaster, Eng. (See W. E. Hughes, No. 16536.)
Monro, A. V. H., and another, Dundee, N.Z. Safety grip-block ..	16413	27 May ..	47	11 June.*
Montagu, R. L., Oroville, U.S.A. Recovery of metals ..	16517	16 June ..	57	9 July.*
Montgomerie, R. A., Wanganui, N.Z. Fencing-dropper ..	16554	26 June ..	60	23 July.
Montgomery, J., Little River, Canterbury, N.Z. Tie-clip ..	16317	8 May ..	43	28 May.
Montgomery, J., Christchurch, N.Z. Tie-clip ..	16192	4 April ..	29	16 April.
Morgan, J. C., Mangamahua, N.Z. Animal-cover fastening ..	16422	1 June ..	47	11 June.*
Morison, G. S., Bendigo, Vic. Steam-engines ..	16232	16 April ..	33	30 April.*
Morrison, C. M., Auckland, N.Z. Pocket-book ..	16224	14 April ..	33	30 April.
Moss, E., Christchurch, N.Z. Carcase-weighing machine ..	16250	17 April ..	33	30 April.*
Moul, A., London, Eng. Target apparatus ..	16332	12 May ..	50	25 June.
Mudge, B. C., Maine, U.S.A. Manufacture of flax-fibre ..	16403	28 May ..	47	11 June.
Muir, W., and another, Middlesex, Eng. Mechanically igniting material ..	16325	6 May ..	43	28 May.
Mulhare, J. W., Invercargill, N.Z. Shears ..	16515	15 June
Mulhare, J. W., Invercargill, N.Z. Pocket-knife ..	16540	20 June ..	57	9 July.*
Mulhare, J. W., Invercargill, N.Z. Water-purifier for tank ..	16471	4 June ..	50	25 June.*
Mundy, A. J., and others, Boston, U.S.A. (See Submarine Signal Company, No. 16467.)
Murphy, J. T., Blenheim, N.Z. Bird-trap ..	16495	12 June ..	50	25 June.*
Murphy, W., Arrowtown, N.Z. Trap-seat regulator ..	16352	12 May ..	43	28 May.*
Murphy, W., Arrowtown, N.Z. Vehicle-brake ..	16353	12 May ..	43	28 May.*
Murphy, W., Arrowtown, N.Z. Tire setter and extractor ..	16354	12 May ..	43	28 May.*
Murray, R. L. H., Auckland, N.Z. Acetylene-generator ..	16221	7 April ..	33	30 April.
Needham, L. A., and another, Wellington, N.Z. Street-cleaner ..	16567	29 June ..	66	20 August.
Nelson, H., Wellington, N.Z. (See A. J. Park, No. 16261.)
Nicholson, N. L., Winton, N.Z. Saw, &c., handle ..	16459	9 June ..	50	25 June.*
Nicol, J. L., Invercargill, N.Z. Holder for saucer, plaque, &c. ..	16321	6 May ..	37	14 May.*
Noble, A. H. P., and another, Christchurch, N.Z. Exterminating rabbits ..	15057	28 June, 1902..	57	9 July.
Nolan, W. P., Port Chalmers, N.Z. Ticket-dater ..	16212	6 April ..	37	14 May.*
North, T. W., Christchurch, N.Z. Horse-collar ..	15380	11 Sept., 1902	57	9 July.
Norton, E., New York, U.S.A. Bottle-cap ..	16337	13 May ..	43	28 May.
Noy, H. G. W. L., and another, Dunedin, N.Z. Safety grip-block ..	16413	27 May ..	47	11 June.*
Oaten, J., Melbourne, Vic. Animal-rug fastener ..	16369	13 May ..	47	11 June.
Ogle, G. R., Devonport, N.Z. Draught and dust excluder for doors ..	16562	25 June ..	60	23 July.*
Oliver Mill Company, Limited, The, London, England. Disintegrating-machine (J. Thame and A. W. Smith)	16424	2 June ..	50	25 June.
Ollershaw, W., and another, Dunedin, N.Z. (See A. F. Roy, No. 15263.)
O'Neil, J., Christchurch, N.Z. Windmill-lubricator ..	16290	29 April ..	43	28 May.*
Orbell, J., Seacliff, N.Z. Washer ..	16201	3 April ..	29	16 April.*
Orbell, J., Seacliff, N.Z. Fish-plate ..	16202	3 April ..	29	16 April.*
O'Rourke, T. M., Matakaitaki, N.Z. Gold-saving screen and elevator ..	16361	16 May ..	57	9 July.
Osmond, S. J., Laura, South Australia. Washing-machine ..	16285	30 April
Otto, C., and another, Dunedin, N.Z. Collapsible box ..	16307	2 May ..	37	14 May.*
Otto, C., Dunedin, N.Z. Collapsible box ..	16539	22 June ..	57	9 July.*

ALPHABETICAL LIST OF APPLICANTS FOR LETTERS PATENT—*continued.*

Name, Address, and Invention.	Application.		Gazette.	
	No.	Date.	No.	Date.
Palmer, G. C., Wellington, N.Z. Cartridge-holder ..	16162	1 April ..	29	16 April.*
Park, A. J., and another, Ngaruawahia, N.Z. Milk-weighing apparatus	16239	17 April ..	33	30 April.
Park, A. J., Dunedin, N.Z. Increasing saleability of goods (H. Nelson)	16261	17 April ..	33	30 April.*
Park, J. R., Dunedin, N.Z. Secateur. (A. W. A. Barnard and W. G. Reid)	16487	12 June ..	50	25 June.*
Park, J. R., Dunedin, N.Z. Sash mover and lock. (R. N. Adams)	16489	12 June ..	50	25 June.*
Park, J. R., Dunedin, N.Z. Fish-plate. (R. N. Adams)	16491	11 June ..	50	25 June.*
Parker, A., Dannevirke, N.Z. Dust and draft excluder for door ..	16376	19 May ..	43	28 May.*
Parker, A., Dannevirke, N.Z. Sheep and cattle brand ..	16541	25 June
Parsons, C. A., Newcastle-on-Tyne, Eng. Steam-turbine ..	16335	13 May ..	47	11 June.
Payne, F. W., Dunedin, N.Z. Lock-nut ..	16367	13 May
Pearson, G. A., Lower Hutt, N.Z. Slack-adjuster for brakes ..	16558	27 June ..	60	23 July.*
Pease, C., Salem, U.S.A. (See United-Xpedite Finishing Company, No. 16509.)				
Pennington, R. E., and another, Melbourne, Vic. Lock-nut plate ..	15623	13 Nov., 1902	33	30 April.
Peppler, A., Christchurch, N.Z. Window. (W. Biel) ..	16447	8 June ..	37	9 July.*
Percival, G., Narromine, N.S.W. Rear hub-sprocket for bicycle ..	16435	4 June ..	60	23 July.
Perdriau, E. C., and another, Melbourne, Vic. Boot sole and heel ..	15279	21 Aug., 1902	29	16 April.
Peters, G. A., Toronto, Canada. Target ..	16362	13 May ..	47	11 June.
Peterson, A., and another, Invercargill, N.Z. Skylight..	16260	17 April ..	33	30 April.*
Peterson, J., and another, Invercargill, N.Z. Skylight..	16260	17 April ..	33	30 April.*
Pfaff, A., Melbourne, Vic. (See W. E. Hughes, No. 16462.)				
Phillimore, A. E., Bath, Eng. Bedstead ..	15226	7 Aug., 1902	37	14 May.
Phillips, L., Hokitika, N.Z. Tailings and sand pump ..	16252	20 April ..	33	30 April.*
Phillips, E., Melbourne, Vic. Free-piston engine. (O. C. Duryea and M. C. White)	16400	28 May ..	50	25 June.
Picard. (See Kirkpatrick-Picard.)				
Pickard, C. J., and another, Kimbolton, N.Z. Tire ..	16314	8 May ..	37	14 May.*
Pomeroy, J. H., Invercargill, N.Z. Hat-fastener ..	16236	16 April ..	33	30 April.*
Pope, D., Caversham, N.Z. Wheel for vehicle, cycle, &c. ..	16203	3 April ..	29	16 April.*
Porter, G., Ashburton, N.Z. Cycle-chain drive ..	16195	6 April ..	33	30 April.*
Potter, C. V., St. Kilda, Vic. Acidulated oleaginous solution ..	16397	28 May ..	47	11 June.*
Potts, T., Pahiatua, N.Z. Medicinal preparation ..	16360	16 May ..	47	11 June.
Poynter, J. B., Wellington, N.Z. Fastening together papers, &c. ..	16494	15 June ..	66	20 August.*
Preston, W., and another, Richmond, Vic. Amalgamator ..	16513	18 June ..	57	9 July.*
Pritchett, P. H., Governor's Bay, N.Z. Felling trees mechanically	16273	24 April ..	37	14 May.*
Quilter, T. F., and another, Waipori, N.Z. Removing clay from dredge-bucket	15175	23 July, 1902 ..	33	30 April.
Ramson, F. S., Maunu, N.Z. Appliance for producing outline maps	16551	26 June ..	57	9 July.*
Raymond, A. A., Chicago, U.S.A. (See Raymond Concrete Pile Company, No. 16167.)				
Raymond Concrete Pile Company, Chicago, U.S.A. Forming piles (A. A. Raymond)	16167	2 April ..	33	30 April.
Reid, J. H., Newark, U.S.A. Generating electricity ..	16249	16 April ..	66	20 August.
Reid, W. G., and another, Dunedin, N.Z. (See J. R. Park, No. 16487.)				
Remmant, G. W., Manutahi, N.Z. Potato-plough ..	16436	4 June ..	47	11 June.*
Renner, G., and another, Kaikoura, N.Z. Opening and closing swing-gates	16387	26 May ..	47	11 June.*
Renoy, L. J., Auch, France. Boiler for cooking ..	16211	6 April ..	33	30 April.
Restell, R. B., Hamilton, N.Z. Seed-drill ..	16235	16 April ..	37	14 May.*
Ribbert, J., Holthausen, Germany. Manufacture of coloured fabrics	16206	8 April ..	33	30 April.
Richardson, G. E., Thebarton, South Australia. Railway coupling	16286	30 April ..	37	14 May.
Ridd, C., and another, Eltham, N.Z. Cow-teat probe ..	15964	10 Feb. ..	33	30 April.
Roberts, L., Dunedin, N.Z. Dress-cutting chart ..	15241	6 Aug., 1902..	43	28 May.
Robertson, W., Dunedin, N.Z. Flue-damper ..	16560	24 June ..	60	23 July.*
Rockell, H. M., and another, Rangiwahia, N.Z. Withdrawing liquids	16328	11 May ..	43	28 May.
Rollo, J. A., Medbury, N.Z. Fencing-staple ..	16247	16 April ..	33	30 April.*
Rosenberg, H. M., Wellington, N.Z. Kitchen table ..	16200	7 April ..	29	16 April.*
Ross, A., Sutton, England. Circulating waters of boilers. (S. J. Wilford)	16242	15 April ..	37	14 May.
Ross, H. I. M., Dunedin, N.Z. Ventilator ..	16368	13 May ..	47	11 June.
Rottman, F. J., London, England. (See C. F. Büng, No. 16358.)				
Rouse, A. E., Perth, W.A. Pressure protector-frame for diving-dress	16482	12 June ..	50	25 June.*
Rotheram, T. F., and others, Perth, W.A. Railway flag-signal staff	16483	12 June ..	50	25 June.*
Roy, A. F., Dunedin, N.Z. Waterproofing composition. (J. Taylor and W. Ollerenshaw)	15263	15 Aug., 1902..	43	28 May.
Russell, A., Dunedin, N.Z. Candle clasp or holder ..	16520	17 June ..	60	23 July.
Russell, J. J., Milton, N.S.W. (See J. Channon, No. 16187.)				
Russell, T. G., and another, Christchurch, N.Z. Exterminating rabbits	15057	28 June, 1902..	57	9 July.
Ryding, F., Melbourne, Vic. Legging ..	16488	12 June ..	57	9 July.
Sargent, W. D., New York, U.S.A. Making brake-shoe..	16226	15 April ..	33	30 April.
Saunders, H. J., and another, Perth, W.A. Self-grip and draw-off attachment for vessels	16534	24 June ..	60	23 July.
Saunders, L. E., and another, Perth, W.A. Self-grip and draw-off attachment for vessels	16534	24 June ..	60	23 July.
Saunders, M., Pleasant Point, N.Z. Harvesting-appliance ..	15022	18 June, 1902	33	30 April.
Sawyer, C., Wellington, N.Z. Paint-brush binder ..	15319	28 Aug., 1902..	33	30 April.*
Saxton, E., Stoke, N.Z. Cycling-gauntlet ..	15028	28 March ..	33	30 April.*
Schmitt, E. D., Baltimore, U.S.A. (See Universal Seal and Stopper Company, Nos. 16571 and 16572.)				

ALPHABETICAL LIST OF APPLICANTS FOR LETTERS PATENT—continued.

Name, Address, and Invention.	Application.		Gazette.	
	No.	Date.	No.	Date.
Schultze, A., and another, Greymouth, N.Z. Outer cover for tire ..	16196	2 April ..	29	16 April.*
Scott, C. F., Pittsburg, U.S.A. (See J. P. Campbell, No. 16293.)				
Scott, G. M., Dunedin, N.Z. Sash hanger and lock ..	16582	29 June ..	60	23 July.*
Scott, J., and another, Cobden, N.Z. Tin opener and cutter ..	16382	19 May ..	47	11 June.*
Scott, J. R., Boston, U.S.A. (See United Shoe Machinery Company, No. 15207.)				
Scoullar, J. G., Dunedin, N.Z. Collapsible crate ..	16411	26 May ..	47	11 June.*
Scurr, C. N., Dunedin, N.Z. Window-lock. (R. N. Adams) ..	16215	7 April ..	33	30 April.*
Scurr, C. N., Dunedin, N.Z. Fish-plate. (R. N. Adams) ..	16270	24 April ..	37	14 May.*
Scurr, C. N., Dunedin, N.Z. Holding material to be cut for making mitre-joints. (R. Wales)	16305	1 May ..	37	14 May.*
Scurr, C. N., Dunedin, N.Z. Arm-adjustment for mitre-cutting frame. (R. Wales)	16306	2 May ..	37	14 May.*
Scurr, C. N., Dunedin, N.Z. Locking-dog for nuts. (R. Wales) ..	16312	5 May ..	37	14 May.*
Seavill, W., Waingaro, N.Z. Gate-catch ..	16478	8 June ..	57	9 July.*
"Secretary," New York, U.S.A. Gas-stove. (D. J. Clark) ..	16449	8 June ..	60	23 July.*
Shaw, E. J., Walsall, England Hanging-lamp pendant ..	16502	17 June ..	57	9 July.*
Shaw, J. W., and others, Perth, W.A. Railway flag-signal staff ..	16483	12 June ..	50	25 June.*
Shaw, W. E., Sydney, N.S.W. Tobacco-transporting box ..	15209	2 Aug., 1902..	37	14 May.*
Shepherd, J., Dunedin, N.Z. Dredging machinery ..	15097	10 July, 1902..	43	28 May.*
Shepherd, J., Invercargill, N.Z. Dredging machinery ..	16333	12 May ..	47	11 June.*
Shilton, G. T., and another, Greymouth, N.Z. Outer cover for tire	16196	2 April ..	29	16 April.*
Short, J. T., and others, Perth, W.A. Railway flag-signal staff ..	16483	12 June ..	50	25 June.*
Short, R. W., and another, Petone, N.Z. Wheelbarrow ..	16391	27 May ..	47	11 June.*
Short, R. W., and another, Petone, N.Z. Lifting-jack ..	16392	27 May ..	50	25 June.*
Sigley, J. R., Gisborne, N.Z. Concrete tank ..	15301	22 Aug., 1902..	50	25 June.*
Slemitz, C., Wellington, N.Z. Washing-copper ..	15064	30 June, 1902..	29	16 April.*
Small, J., Port Chalmers, N.Z. Determining quantity of liquid in refrigerating apparatus	14830	2 May, 1902..	47	11 June.*
Smaill, J., Port Chalmers, N.Z. Steam-generator ..	16565	25 June ..	60	23 July.*
Smith, A. W., and another, Barking, Eng. (See The Oliver Mill Company (Limited), No. 16424.)				
Smith, C. B., Melbourne, Vic. Counter-check sales-book (E. M. Willey)	16330	8 May ..	43	28 May.*
Smith, C. S., and another, Dunedin, N.Z. Collapsible box ..	16307	2 May ..	37	14 May.*
Smith, G. J., and another, Greymouth, N.Z. Tin opener and cutter	16382	19 May ..	47	11 June.*
Smith, J. D., Dunedin, N.Z. Dressing New Zealand flax ..	16561	24 June ..	60	23 July.*
Snapper, R., Albert Park, Vict. Boot-fastening ..	15213	2 Aug., 1902..	37	14 May.*
Somerville, W. G., and another, Dunedin, N.Z. Wall and table bracket	16564	26 June ..	57	9 July.*
Spackman, C. V., Mauriceville, N.Z. Horse or cow cover fastening	16557	27 June ..	60	23 July.*
Stanton, A. R., and another, Dunedin, N.Z. Raising sunken vessels	16096	16 March ..	37	14 May.*
Stenhouse, J., and another, Dunedin, N.Z. Spark-arrester ..	16490	12 June ..	50	25 June.*
Stenhouse, W., and another, Dunedin, N.Z. Spark-arrester ..	16490	12 June ..	50	25 June.*
Stevenson, G., Riversdale, N.Z. Adjustable earth-auger ..	16188	4 April ..	29	16 April.*
Stevenson, G., Riversdale, N.Z. Straw-elevator of threshing-machine	16189	4 April ..	29	16 April.*
Stevenson, G., Riversdale, N.Z. Operating venetian-blinds ..	16190	4 April ..	29	16 April.*
Stevenson, G., Riversdale, N.Z. Candle-extinguisher ..	16198	6 April ..	29	16 April.*
Stevenson, G. S., Wendon, N.Z. Attachment to vehicle draw-bar..	16458	9 June ..	50	25 June.*
Stevenson, W. B., Witwatersrand, Transvaal. Safety-gear for mine-skips	16401	28 May ..	47	11 June.*
Stevenson, W. G., Prospect, South Australia. Anti-rattling door and window device	16399	28 May
Stewart, R. T., Waikanae, N.Z. School-slate cleaner ..	16384	20 May ..	47	11 June.*
Stokes, C. L., Wellington, N.Z. Balancing window-sash ..	16237	16 April ..	33	30 April.*
Stout, W. H., and another, Dayton, U.S.A. Box-making machine..	16256	22 April ..	47	11 June.*
Submarine Signal Company, Maine, U.S.A. Producing sound-vibrations in water. (A. J. Mundy, H. B. Gale, and F. M. Dewing)	16467	6 June ..	57	9 July.*
Sulman, H. L., and another, London, Eng. Recovery of precious metals	16505	17 June ..	57	9 July.*
Sutcliffe, E. R., and others, Leigh, Eng. Manufacture of bricks ..	16336	13 May ..	47	11 June.*
Sutcliffe, Speakman, and Co., Limited, and another, Leigh, Eng. Manufacture of bricks	16336	13 May ..	47	11 June.*
Taylor, J., and another, Dunedin, N.Z. (See A. F. Roy, No. 15263.)				
Taylor, J., Dunedin, N.Z. Waterproofing composition ..	16280	25 April ..	37	14 May.*
Taylor, R. E., Christchurch, N.Z. Earth-scoop ..	16177	1 April ..	29	16 April.*
Temperley, G. W., Wellington, N.Z. Boot and shoe soles, &c. ..	16174	2 April ..	29	16 April.*
Tempest, A. J. F., Auckland, N.Z. Oil-regulator for engine ..	16531	18 June ..	57	9 July.*
Terrell, T., London, Eng. Manufacturing incandescent mantle ..	16259	22 April ..	37	14 May.*
Thame, J., and another, London, Eng. (See The Oliver Mill Company, Limited, No. 16424.)				
Thomas, W., Geraldine, N.Z. Changing photographic-plates ..	16016	20 Feb. ..	37	14 May.*
Thompson, H., and another, Wanganui, N.Z. Trouser-clip ..	16281	20 April ..	37	14 May.*
Thompson, J. H., Melbourne, Vic. Pegless clothes-line ..	16402	28 May ..	63	6 August.*
Thomson, W. A., Rotorua, N.Z. Securing hat to head ..	15461	1 Oct., 1902..	57	9 July.*
Thomson, D., Edinburgh, Scotland. Material-dividing machine ..	16442	4 June
Thomson, F., and another, Rangiwahia, N.Z. Withdrawing liquids	16328	11 May ..	43	28 May.*
Thomson, R. W., Lynn, U.S.A. (See United-Xpedite Finishing Company, No. 16510.)				
Thorpe, H. M., and another, Ngaruawahia, N.Z. Milk-weighing apparatus	16239	17 April ..	33	30 April.*
Tolson, J., Toorak, Vic. Incandescent-mantle lighting ..	16511	30 July, 1902+	63	6 August.*
Tonge, A. J., and others, Bolton, Eng. Hydraulic press and pump	16308	7 May ..	43	28 May.*
Tonge, J., jun., and others, Bolton, Eng. Hydraulic press and pump	16308	7 May ..	43	28 May.*
Tonkin, J. E., and others, Camperdown, N.S.W. Fire-escape ..	16338	13 May ..	43	28 May.*

ALPHABETICAL LIST OF APPLICANTS FOR LETTERS PATENT—continued.

Name, Address, and Invention.	Application.		Gazette.	
	No.	Date.	No.	Date.
Topliiss, H. J., and another, Addington, N.Z. Utilising exhaust from oil-engine	15339	1 Sept., 1902	50	25 June.
Trehwella, B., and another, Trentham, Vic. Operating pawls of lever-jacks	16524	19 June ..	57	9 July.*
Trehwella, W., and another, Trentham, Vic. Operating pawls of lever-jacks	16524	19 June ..	57	9 July.*
Trillo, C., and another, Invercargill, N.Z. Marking-tool ..	16522	20 June ..	57	9 July.*
Tripe, J. D., and another, Wanganui, N.Z. Trouser-clip ..	16281	20 April ..	37	14 May.*
Trivick, S., South Norwood, Eng. Manufacture of dry sulphates of alkali metals	16405	28 May ..	47	11 June.
Trolley, I., Grantham, Eng. Sheaf-binding harvester and trusser ..	15600	5 Nov., 1902..	50	25 June.
Turner, H. D., Carterton, N.Z. Manufacture of independent letters for signs and advertising	16344	13 May ..	43	28 May.*
United Shoe Machinery Company, Paterson, U.S.A. Apparatus for turning boot or shoe. (A. Eppler)	15103	10 July, 1902 ..	33	30 April.
United Shoe Machinery Company, Paterson, U.S.A. Skiving-machine. (E. F. Davenport)	15203	2 Aug., 1902	33	30 April.
United Shoe Machinery Company, Paterson, U.S.A. Machine for inserting fastenings. (E. T. Freeman)	15205	2 Aug., 1902	33	30 April.
United Shoe Machinery Company, Paterson, U.S.A. Leather-skiving machine. (J. R. Scott)	15207	2 Aug., 1902	33	30 April.
United Shoe Machinery Company, Paterson, U.S.A. Skiving-machine. (C. H. Bayley)	15204	2 Aug., 1902	33	30 April.
United Shoe Machinery Company, Paterson, U.S.A. Heel-attaching machine. (B. F. Mayo)	16207	8 April ..	33	30 April.
United Shoe Machinery Company, Paterson, U.S.A. Nurling-machine. (L. A. Casgrain)	16229	15 April ..	33	30 April.*
United Shoe Machinery Company, Paterson, U.S.A. Nail-assorting mechanism. (B. F. Mayo)	15413	18 Sept., 1902	57	9 July.
United-Xpedite Finishing Company, Berwick, U.S.A. Heel-finishing machine. (C. Pease)	16509	18 June ..	57	9 July.*
United-Xpedite Finishing Company, Berwick, U.S.A. Heel-finishing machine. (R. W. Thomson)	16510	18 June ..	57	9 July.*
Universal Seal and Stopper Company, Camden, U.S.A. Bottle-sealing device. (E. D. Schmitt)	16571	30 June ..	60	23 July.
Universal Seal and Stopper Company, Camden, U.S.A. Bottle-sealing device. (E. D. Schmitt)	16572	30 June ..	60	23 July.
Vacuum Tin Syndicate, Limited, The, Bristol, Eng. Exhausting air from cans, &c. (W. E. W. Cates)	16180	3 April ..	29	16 April.
Wadman, E., Dunedin, N.Z. Shoe and blacklead brush ..	16366	15 May ..	47	11 June.*
Wagner, M., Wiesbaden, Germany. Skeleton-bearing ..	16395	28 May ..	57	9 July.
Wales, R., Dunedin, N.Z. (See C. N. Scurr, Nos. 16305, 16306, 16312.)				
Walker, E., Wellington, N.Z. Ventilator window-blind and fire-screen	16552	26 June ..	57	9 July.*
Walsh, J. R., Halswell, N.Z. Potato-digger ..	16219	9 April ..	33	30 April.*
Walters, W. B., Dunedin, N.Z. Production of hydrocarbon gas ..	15260	16 Aug., 1902	50	25 June.
Ward, C. H., Windsor, Vic. Manufacturing pigments for use as a paint	16184	4 April ..	29	16 April.*
Ward, H. A. and another, Kimbolton, N.Z. Tire ..	16314	8 May ..	37	14 May.*
Waters, E., jun., Melbourne, Vic. Roller crushing-mill (Edison Ore Milling Syndicate, Limited. T. A. Edison)	16503	17 June ..	57	9 July.
Waters, W., Auckland, N.Z. Siphon ..	16220	8 April ..	33	30 April.*
Watson, A. E., Kyneton, Vic. Wheel-scraper for agricultural-implementation	16527	19 June ..	60	23 July.
Watt, C. L., and another, Dunedin, N.Z. Spark-arrester ..	16472	8 June ..	50	25 June.*
Watt, I. N. and another, Dunedin, N.Z. Spark-arrester ..	16472	8 June ..	50	25 June.*
Watt, J. R., Islington, N.Z. Covering of walls of houses, &c. ..	16485	13 June ..	50	25 June.*
Watts, A. M. S., Palmerston North, N.Z. Attaching draw-off tap to drum	16288	30 April ..	37	14 May.*
Watts, W., Midland Junction, Western Aust. Railway pivot-blade joint	15493	9 Oct., 1902 ..	33	30 April.
Webster, W., Melbourne, Vic. Acetylene-generator ..	15752	10 Dec., 1902..	37	14 May.
Westinghouse Brake Company, Limited, London, Eng. Railway coupling. (J. W. Cloud)	16428	2 June ..	50	25 June.
Westinghouse, G., Pittsburg, U.S.A. (See W. E. Hughes, No. 16537.)				
White, G. W., Footscray, Vic. Hose-coupling ..	16262	17 April ..	33	30 April.*
White, M. C. and another, Los Angeles, U.S.A. (See E. Phillips, No. 16400.)				
Whitehorn, T., Coburg, Vic. Cigarette-trimming machine ..	16245	15 April ..	33	30 April.*
Whitehouse, J., Waihi, N.Z. Spark-arrester ..	15429	22 Sept., 1902	57	9 July.
Whitmore, E. H. and another, Invercargill, N.Z. Spring-hook for luggage-label	16217	4 May ..	43	28 May.
Wickman, S. J., Hawthorn, Vic. Laundry-stove ..	16437	4 June ..	47	11 June.*
Wicksteed, S. H., Stratford, N.Z. Catch for hauling-engine ..	16264	24 April ..	37	14 May.*
Wight, R. B., Auckland, N.Z. Removing paint, rust, &c., from iron vessels	16549	22 June ..	57	9 July.*
Willey, E. M., Sydney, N.S.W. (See C. B. Smith, No. 16330)				
Wilford, S. J., London, Eng. (See A. Ross, No. 16242)				
Wilhelm, E. F., Cunningham's, N.Z. Brake ..	16444	8 June ..	50	25 June.*
Wilhelm, E. H., Marton, N.Z. Searing and docking lambs' tails ..	16315	14 April ..	43	28 May.
Wilkinson, F., Petone, N.Z. Separation of fibres of wool, cotton, &c.	16257	22 April ..	33	30 April.*

ALPHABETICAL LIST OF APPLICANTS FOR LETTERS PATENT—*continued.*

Name, Address, and Invention.	Application.		Gazette.	
	No.	Date.	No.	Date.
Williams, A., and another, Wimbledon, Eng. (See W. E. Hughes, No. 16076.)				
Williams, J. L., North Melbourne, Vic. Flushing latrine ..	16164	30 Dec., 1902..	37	14 May.
Williams, R., East Taieri, N.Z. Brand for carcasses, &c. ..	16182	1 April ..	29	16 April.*
Wilson, A., South Dunedin, N.Z. Hair-pin ..	16271	23 April ..	37	14 May.*
Wilson, J. F., and another, Invercargill, N.Z. Spring-hook for luggage-label	16217	4 May ..	43	28 May.
Winchester Repeating Arms Company, New Haven, U.S.A. Fire-arms. (T. C. Johnson)	16339	13 May ..	47	11 June.
Woltereck, H. C., London, Eng. Manufacture of hydro-cyanic acid	16535	24 June ..	60	23 July.
Woltereck, H. C., London, Eng. Production of ammonia by synthesis	16427	2 June ..	47	11 June.
Wood, A., Glebe, N.S.W. Shears, scissors, &c. ..	16526	19 June ..	60	23 July.
Worsnop, J., Auckland, N.Z. Hose-pipe coupling ..	16412	27 May ..	47	11 June.*
Wren, J., Invercargill, N.Z. Screw ..	16380	22 May ..	47	11 June.*
Wycherley, C. W., and another, Palmerston North and Wellington, N.Z. Legging-fastening	16279	29 April ..	37	14 May.*
Wycherley, H. S., and another, Palmerston North and Wellington, N.Z. Legging-fastening	16279	29 April ..	43	28 May.
Wyld, A. H., Palmerston North, N.Z. Sash holder and lock ..	16276	28 April ..	37	14 May.*
Young, C. E., and another, Eltham, N.Z. Cow-teat probe ..	15964	10 Feb. ..	33	30 April.

Alphabetical List of Inventions for Quarter ending 30th June, 1903.

THIS list includes also applications lodged prior to but gazetted during the quarter, and complete specifications following provisional specifications accepted and gazetted during the quarter. Where the number and date of the *Gazette* are omitted, the application has not yet been accepted.

* Denotes a provisional specification. † Denotes a prior date under section 106 of "The Patents, Designs, and Trade Marks Act, 1889."

Invention.	Name.	Application.		Gazette.	
		No.	Date.	No.	Date.
Acetylene-generator ..	R. L. H. Murray ..	16221	7 April ..	33	30 April.
Acetylene-generator, Carbide feeder for ..	W. Webster ..	15752	10 Dec., 1902 ..	37	14 May.
Acetylene-generator and lamp ..	H. Baumgarten ..	16506	17 June ..	57	9 July.
Advertising ..	H. D. Turner ..	16344	13 May ..	43	28 May.*
Agricultural motor-tractor ..	Ivel Agricultural Motors, Limited	16341	13 May ..	43	28 May.
Agricultural pick ..	A. V. Challier ..	16563	25 June ..	60	23 July.
Air-exhausting apparatus ..	Vacuum Tin Syndicate, Limited	16180	3 April ..	29	16 April.
Alternating-current electrical apparatus	J. P. Campbell ..	16233	16 April ..	33	30 April.
Amalgamating apparatus ..	T. Cubbins and W. Preston	16513	18 June ..	57	9 July.
Ammonia-production by synthesis ..	H. C. Woltereck ..	16427	2 June ..	47	11 June.
Anaesthetic-inhaler ..	H. Gunthorp ..	16508	15 June ..	57	9 July.*
Animal-rug fastener ..	J. Oaten ..	16369	13 May ..	47	11 June.
Animal-trap ..	J. Campbell ..	15370	9 Sept., 1902	47	11 June.
Animal-trap ..	L. Gaitt ..	16518	17 June ..	57	9 July.*
Animal-trap ..	T. Goodall ..	16246	15 April ..	33	30 April.*
Arm-adjustment for mitre-cutting frame	C. N. Scurr ..	16306	2 May ..	37	14 May.*
Artificial stone brick ..	L. P. Ford ..	16166	2 April ..	33	30 April.
Auger, Earth- ..	G. Stevenson ..	16188	4 April ..	29	16 April.*
Auger, Wood-boring ..	E. T. Cox ..	16398	28 May ..	47	11 June.*
Bag, Saddle tool- ..	A. Gray ..	15266	15 Aug., 1902	43	28 May.
Bag, Shoulder-strap for school-, &c. ..	G. Goosman ..	15196	28 July, 1902	37	14 May.
Balancing window-sash ..	C. L. Stokes ..	16237	16 April ..	33	30 April.*
Balls. (See Golf-balls.)					
Band for garment ..	R. Glendining ..	16272	22 April ..	37	14 May.*
Basin, Wash-hand ..	F. W. Gordon ..	16293	27 April ..	37	14 May.
Bath. (See Electric bath.)					
Bearing, Skeleton- ..	M. Wagner ..	16395	28 May ..	57	9 July.
Bedstead ..	H. C. Brown ..	16481	12 June ..	50	25 June.*
Bedstead ..	A. E. Phillimore ..	15226	7 Aug., 1902	37	14 May.
Bedstead ..	D. W. McLean ..	16477	11 June ..	50	25 June.*
Belt-driving motor-cycles, Gear for	W. C. Crump ..	16476	11 June
Belt, Electro-medical ..	H. J. Bettany ..	16327	11 May ..	43	28 May.*
Bicycle-brake apparatus and tire inflater	G. Porter ..	16195	6 April ..	33	30 April.*
Bicycle chain-drive, Motor- ..	R. Congreve ..	16186	4 April ..	29	16 April.*
Bicycle-locking device ..	G. Percival ..	16435	4 June ..	60	23 July.
Bicycle, Rear-hub sprocket for	J. Kelly ..	16216	7 April ..	33	30 April.*
Bicycle-trolley, Railway ..	L. S. H. Hutton ..	16251	18 April ..	37	14 May.*
Bicycle-wheel lock ..	H. U. Alcock ..	15259	12 Aug., 1902	43	28 May.
Billiard and dining table, Convertible	H. U. Alcock ..	15373	6 Sept., 1902	50	25 June.
Billiard table and settee, Convertible	J. Foster ..	16329	8 May ..	43	28 May.
Binder, Book and music ..	J. Foster ..	16263	18 April
Binder, Music-, &c. ..	C. Sawyer ..	15319	28 Aug., 1902	33	30 April.
Binder, Paint-brush ..	J. T. Murphy ..	16495	12 June ..	50	25 June.*
Bird-trap ..	A. W. and J. B. McKenzie	15239	8 Aug., 1902	37	14 May.
Bivalves, Machine for opening					

ALPHABETICAL LIST OF INVENTIONS—continued.

Invention.	Name.	Application.		Gazette.	
		No.	Date.	No.	Date.
Blind, Operating Venetian Block. (See Snatch-block.)	G. Stevenson	16190	4 April	29	16 April.*
Boat, Spiral screw-propeller for	E. V. Dixon	16278	28 April	37	14 May.*
Boiler for cooking	L. J. Renoy	16211	6 April	33	30 April.
Boilermaker's marking-tool	C. Trillo	16522	10 June	57	9 July.
Boiler-water, Circulating	A. Ross	16242	15 April	37	14 May.
Boiler, Water-gauge for	R. P. Gibbons	16425	2 June	50	25 June.
Book, &c., binder	J. Foster	16329	8 May	43	28 May.
Bookbinding staple..	E. M. McLauchlan	16171	2 April	29	16 April.*
Book, Pocket-	C. M. Morrison	16224	14 April	33	30 April.
Book. (See Sales-book.)					
Boot-fastener	R. Snapper	15213	2 Aug., 1902	37	14 May.
Boot-finishing wheel	G. H. Catt	15350	4 Sept., 1902	43	28 May.
Boot-heel	A. L. Heighton	16136	24 March	50	25 June.
Boot, Machine for turning	United Shoe Machinery Company	15103	10 July, 1902	33	30 April.
Boot-sole	G. W. Temperley	16174	2 April	29	16 April.
Boot sole and heel, Attaching..	United Shoe Machinery Company	16207	8 April	33	30 April.
Boot sole and heel	T. Burrell and E. C. Perdriau	15279	21 Aug., 1902	29	16 April.
Boot-sole, Galvanic	R. P. Gibbons	16331	8 May	43	28 May.*
Boot-sole, Galvanic-plate	R. P. Gibbons	16375	14 May	43	28 May.*
Boots, Cushion-heel for	J. N. du Feu	16390	26 May	47	11 June.*
Boots, Toe-protector for	R. Collins..	16393	28 May	47	11 June.*
Boring, mortising, and tenoning	G. Bish and J. Johnston	16546	20 June	57	9 July.
Bottle cap	E. Norton	16337	13 May	43	28 May.
Bottle-closure	Crown Cork and Seal Company	16168	2 April	29	16 April.
Bottle-sealing device	Universal Seal and Stopper Company	16571	30 June	60	23 July.
Bottle-sealing device	Universal Seal and Stopper Company	16572	30 June	60	23 July.
Bottle-stopper	W. P. Maschwitz	16210	8 April	37	14 May.
Bottle. (See also Non-refillable bottle.)					
Bottles, Stopping	E. Marshall	16159	1 April
Box, Collapsible	C. S. Smith and C. Otto	16307	2 May	37	14 May.*
Box, Collapsible	C. Otto	16539	22 June	57	9 July.*
Box, Collapsible	R. W. and S. Ashcroft and W. J. Maddren	16254	20 April	33	30 April.*
Box, Tobacco-transporting	W. E. Shaw	15209	2 Aug., 1902	37	14 May.
Box. (See also Mitre-box.)					
Boxes, Cylindrical, Machine for making	W. F. Chamberlin and W. H. Stout	16256	22 April	47	11 June.
Bracket, Wall and table	H. F. Lattey and W. G. Somerville	16564	26 June	57	9 July.*
Brake apparatus	H. J. Bettany	16327	11 May	43	28 May.*
Brake, Cycle-	A. W. Humphreys	15215	2 Aug., 1902	47	11 June.
Brake-drums to hubs, Attaching	W. A. Cornell	16345	14 May	43	28 May.*
Brake for wagon, &c.	C. Anketell	16496	16 June	50	25 June.*
Brake for wagon, &c.	E. F. Wilhelm	16444	8 June	50	25 June.*
Brake-shoe	W. D. Sargent	16226	15 April	33	30 April.
Brake, Slack-adjuster for	G. A. Pearson	16558	27 June	60	23 July.*
Brake, Vehicle-	W. E. Hughes	16536	24 June	60	23 July.
Brake, Vehicle-	W. Murphy	16353	12 May	43	28 May.*
Brand	A. McLeod	16548	22 June	57	9 July.*
Brand	A. Parker	16541	21 June
Brand, Carcase-	R. Williams	16182	1 April	29	16 April.*
Brand, Carcase-	D. Fraser	16218	8 April	33	30 April.*
Branding meat, &c.	J. Dilliear	16460	9 June	50	25 June.*
Breaking up roads, &c.	T. C., T. A., and S. C. Darby	15314	27 Aug., 1902	33	30 April.
Brick, Artificial-stone	L. P. Ford	16166	2 April	33	30 April.
Brick	A. J. Kingsbeer	16228	15 April	33	30 April.*
Bricks, manufacture from sand and lime	Sutcliffe, Speakman, and Co., Limited, and E. R. Sutcliffe	16336	13 May	47	11 June.
Brush-binder, Paint	C. Sawyer	15319	28 Aug., 1902	33	30 April.*
Brush, Hat and clothes	C. Lashlie	15365	5 Sept., 1902	50	25 June.
Brush, Shoe and black-lead	E. Wadman	16366	15 May	47	11 June.*
Bucket. (See Dredge-bucket, Milking-bucket.)					
Buckle	E. M. McLauchlan	16170	2 April	29	16 April.*
Burglar-proof window-lock	J. McKay	16322	6 May	37	14 May.*
Burner and heater	A. McLeod	16547	22 June	57	9 July.*
Butter, putting up into regular quantities	R. W. and S. Ashcroft and W. J. Maddren	16253	20 April	60	23 July.*
Butter-sizer	C. Bristow	16440	5 June	47	11 June.*
Cable. (See Electric cable.)					
Cancer-remedy	H. Currie	16238	15 April	33	30 April.*
Can, Exhausting air from	Vacuum Tin Syndicate, Limited	16180	3 April	29	16 April.
Candle-extinguisher	J. A. Belk	16573	30 June	60	23 July.*
Candle-extinguisher	G. Stevenson	16198	6 April	29	16 April.*
Candle-holder	A. Russell	16520	17 June	60	23 July.
Can-lid	R. W. Ashcroft and W. J. Maddren	16452	8 June	57	9 July.
Cap, Bottle	E. Norton	16337	13 May	43	28 May.
Car. (See Motor-car, railway-car, and tram-car.)					
Carbide-feeder for gas-generator	W. Webster	15752	10 Dec., 1902	37	14 May.
Carbonic-acid gas, Charging fluids with	G. A. Lowry	16569	30 June	60	23 July.

ALPHABETICAL LIST OF INVENTIONS—continued.

Invention.	Name.	Application.		Gazette.	
		No.	Date.	No.	Date.
Carcase brand	D. Fraser	16218	8 April ..	33	30 April.*
Carcase brand	R. Williams	16182	1 April ..	29	16 April.*
Carcases, Tallying and weighing	E. Moss	16250	17 April ..	33	30 April.*
Cards, Photo, Christmas, and New-year	C. Miller	16542	22 June ..	63	6 August.
Carriage-lamp	C. Anketell	16497	16 June ..	50	25 June.*
Cartridge-holder	G. C. Palmer	16162	1 April ..	29	16 April.*
Cartridge-draining device	Australian Explosives and Chemical Company, Limited	16227	15 April ..	33	30 April.*
Casks, Spile for	C. J. Cooze	16453	8 June ..	50	25 June.*
Caster	R. N. Adams	16521	17 June ..	57	9 July.*
Catch. (See Safety-catch.)					
Centrifugal tailings, &c., pump	L. Phillips	16252	20 April ..	33	30 April.*
Chain and sprocket pitch	G. Davidson	16568	29 June ..	60	23 July.*
Chain-drive, bicycles, &c.	G. Porter	16195	6 April ..	33	30 April.*
Chain, Elevator	R. Holland	15024	23 June, 1902 ..	47	11 June.
Chain grate-stoker	Babcock and Wilcox, Limited, and R. A. McLaren	16538	24 June
Chairs, &c., Collapsible	J. M. Armour	15304	23 Aug., 1902 ..	50	25 June.
Chamber utensil	P. H. Dando	15356	4 Sept., 1902 ..	43	28 May.
Chamber utensil	A. G. Mackay	16420	27 May ..	50	25 June.*
Chart for ladies' garments	M. E. McLeod	16183	4 April ..	29	16 April.*
Chart, Dress-cutting	L. Roberts	15241	6 Aug., 1902 ..	43	28 May.
Cigarettes, Trimming ends of	T. Whitehorn	16245	15 April ..	33	30 April.*
Cinematograph process	R. T. Haines	16465	10 June ..	50	25 June.*
Claw-hammer and staple-drawer	A. Gray	15265	15 Aug., 1902 ..	43	28 May.
Clay from dredge-bucket, Removing	T. F. Quilter and G. W. Gare	15175	23 July, 1902 ..	33	30 April.
Cleaner. (See Tube-cleaner, Street-cleaner.)					
Clip. (See Tie-clip, Trouser-clip, Necktie-clip.)					
Closure for bottles	Crown Cork and Seal Company	16168	2 April ..	29	16 April.
Clothes-line, Pegless	J. H. Thompson	16402	28 May ..	63	6 Aug.
Clothes on line, Hanging	W. A. Collins	16268	24 April ..	33	30 April.*
Coalscuttle	E. B. Arthur	15126	17 July, 1902 ..	33	30 April.
Coiler. (See Wire-coiler.)					
Coin-freed machine for stamping letters	W. H. H. Hollingworth	16493	12 June ..	50	25 June.*
Collapsible chair, &c.	J. M. Armour	15304	23 Aug., 1902 ..	50	25 June.
Collapsible box	C. Otto	16539	22 June ..	57	9 July.*
Collapsible box	C. S. Smith and C. Otto	16307	2 May ..	37	4 May.*
Collapsible box	R. W. and S. Ashcroft and W. J. Maddren	16254	20 April ..	33	30 April.*
Collar or fastener	F. M. Linley	16266	24 April ..	37	14 May.
Collar. (See Horse-collar.)					
Comb	W. Jermyn	16334	12 May ..	43	28 May.*
Combustion of fuel	C. E. Bernays	16504	17 June ..	57	9 July.
Compensating device for railway vehicle	G. E. Richardson	16286	30 April ..	37	14 May.
Composition for destruction of noxious weeds	T. Millar and J. Fallow	16389	26 May ..	47	11 June.*
Composition for pavements	J. Crothers	16426	2 June ..	47	11 June.*
Compressor, Elastic-fluid	H. Bland	16193	4 April ..	29	16 April.
Concrete tank	J. R. Sigley	15301	22 Aug., 1902 ..	50	25 June.
Convertible billiard and dining table	H. U. Alcock	15259	12 Aug., 1902 ..	43	28 May.
Cooking-boiler	L. J. Renoy	16211	6 April ..	33	30 April.
Cooking-range, Raising or lowering fire-place of	J. A. Fiddes	16323	6 May ..	37	14 May.*
Copper. (See Washing-copper.)					
Cork, Crown	W. P. Maschwitz	16210	8 April ..	37	14 May.
Corsets, Galvanic plate for	R. P. Gibbons	16375	14 May ..	43	28 May.*
Cotton fibre, Pulling out	F. Wilkinson	16257	22 April ..	33	30 April.*
Counter-check sales-book	C. B. Smith	16330	8 May ..	43	28 May.
Coupling. (See Hose-coupling, Railway-coupling.)					
Cover, Tyre	G. T. Shilton and A. Schultze	16196	2 April ..	29	16 April.
Covering of walls of houses	J. R. Watt	16485	13 June ..	50	25 June.*
Covers, Fastening on animals	J. C. Morgan	16422	1 June ..	47	11 June.*
Cow leg and tail holder	J. A. Donald	16529	22 June ..	60	23 July.*
Cow-leg holder	R. G. Doyle	16421	1 June ..	47	11 June.*
Cow and horse cover fastening	C. V. Spackman	16557	27 June ..	60	23 July.*
Cow's teat, Probe for	C. Ridd and C. E. Young	15964	10 Feb. ..	33	30 April.
Cradle, &c., Collapsible	J. M. Armour	15304	23 Aug., 1902 ..	50	25 June.
Crate for rabbits or game	J. G. Scoullar	16411	26 May ..	47	11 June.*
Cream-separator, Link-blade device for	H. Harvey	16292	27 April ..	37	14 May.*
Crockery-washing apparatus	L. Davie	16423	1 June ..	50	25 June.*
Cross-beams for hatch	J. Mains	16519	17 June ..	57	9 July.*
Crown cork	W. P. Maschwitz	16210	8 April ..	37	14 May.
Crushing-mill	E. Waters, jun.	16503	17 June ..	57	9 July.
Cuff	I. Hunter	16191	4 April ..	29	16 April.*
Cuff-fastener	H. L. Mainland	16448	4 June
Cuff-fastener	F. M. Linley	16266	24 April ..	37	14 May.
Cure for deafness	T. C. Millsom	16475	10 June ..	50	25 June.*
Curtain-pole	E. S. Koch	16409	29 May ..	60	23 July.
Cushion-heel for boots, &c.	J. N. Du Feu	16390	26 May ..	47	11 June.*
Cutter. (See Mitre-cutter, Tobacco-cutter.)					
Cutting ladies' garments	M. E. McLeod	16183	4 April ..	29	16 April.*
Cutting material into strips	A. G. Baker, C. and G. Croxford, and J. McQueen	16304	1 May ..	37	14 May.*

ALPHABETICAL LIST OF INVENTIONS—continued.

Invention.	Name.	Application.		Gazette.	
		No.	Date.	No.	Date.
Cyanides, Manufacture of metallic	H. C. Woltereck	16535	24 June	60	23 July.
Cycle-lock	R. Congreve	16377	19 May	43	28 May.
Cycle. (See Bicycle, Motor-cycle.)					
Cycling gauntlet	E. Saxton	15028	28 March	33	30 April.*
Cyclists' trouser-clip	H. Thompson and J. D. Tripe	16281	20 April	37	14 May.*
Cylindrical-box machine. (See Boxes.)					
Damper-frame	W. Madder	16373	19 May	47	11 June.
Damper, Flue-	W. Robertson	16560	24 June	60	23 July.*
Dater, Ticket-	W. P. Nolan	16212	6 April	37	14 April.*
Deafness, Cure for	T. C. Millsom	16475	10 June	50	25 June.*
Delivering and weighing machine	A. J. Park and H. M. Thorpe	16239	17 April	33	30 April.
Developing photographic plate	W. Thomas	16016	20 Feb.	37	14 May.
Digger, Land, &c.	T. C., T. A., and S. C. Darby	15314	27 Aug., 1902	33	30 April.
Digger, Potato-	J. R. Walsh	16219	9 April	33	30 April.*
Dining-table, Convertible	H. U. Alcock	15259	12 Aug., 1902	43	28 May.
Diseases, Instrument for treating Dish. (See Pie-dish.)	C. F. Bunz	16358	15 May	43	28 May.*
Disintegrating-machine	Oliver Mill Company, Limited	16424	2 June	50	25 June.
Dividing, Material, machine	D. Thomson	16442	4 June	33	30 April.*
Diving apparatus	W. F. Meyenberg	16269	25 April	33	30 April.*
Diving-dress, Pressure-protector for	A. E. Rouse	16482	12 June	50	25 June.*
Docking and searing lamb's tail	E. H. Wilhelm	16315	14 April	43	28 May.
Dog for nut, Locking-	C. N. Scurr	16312	5 May	37	14 May.*
Door, Anti-rattling device for	W. G. Stevenson	16399	28 May	33	30 April.*
Door, Holding, ajar	W. G. Jesson	16214	7 April	33	30 April.*
Door. (See Oven-door.)					
Draining device for rackarock cartridge	Australian Explosives and Chemical Company, Limited	16227	15 April	33	30 April.*
Draught and dust excluder	A. Parker	16376	19 May	43	28 May.
Draught and dust excluder	G. R. Ogle	16562	25 June	60	23 July.*
Draught-creating device for register-grate	H. A. E. Kelly	16484	9 June	50	25 June.*
Draw-bar of vehicle, Attachment for	G. S. Stevenson	16458	9 June	50	25 June.*
Draw-gear for vehicle, Outtrigger	R. D. Kelly	15254	15 Aug., 1902	37	14 May.
Draw-off attachment for vessels	L. E. and H. J. Saunders	16534	24 June	60	23 July.
Draw-off tap to drum, Attaching	A. M. S. Watts	16288	30 April	37	14 May.*
Dredge-bucket, Removing clay from	T. F. Quilter and G. W. Gare	15175	23 July, 1902	33	30 April.
Dredge-machinery, Driving	J. T. Johnson	15086	3 July, 1902	29	16 April.
Dredging machinery	J. Shepherd	15097	10 July, 1902	43	28 May.
Dredging machinery	J. Shepherd	16333	12 May	47	11 June.*
Dress-cutting chart	L. Roberts	15241	6 Aug., 1902	43	28 May.
Dressing apparatus for thresher	J. Greenslade	16274	24 April	37	14 May.*
Dressing-machine for flax	W. H. Bentham	16163	1 April	29	16 April.*
Drill. (See Seed and fertilizer drill.)					
Drill, Pneumatic	G. H. Hayes	16209	8 April	33	30 April.
Driving dredge-machinery	J. T. Johnson	15086	3 July, 1902	29	16 April.
Driving shafting, Hydraulically	T. Cornish	16284	30 April	37	14 May.*
Drum of hauling-engine, Safety-catch for	S. H. Wicksteed	16264	24 April	37	14 May.*
Drum, Truing-up flax-stripper	J. Anderson	15185	29 July, 1902	37	14 May.
Drum. (See Brake-drum.)					
Dry sulphates. (See Sulphates.)					
Drying and preserving milk	J. R. Hatmaker	16287	30 April	37	14 May.
Drying wool	H. Ashworth	16311	7 May	43	28 May.
Dust and draught excluder	G. R. Ogle	16562	25 June	60	23 July.*
Dust and draught excluder	A. Parker	16376	19 May	43	28 May.*
Earth-auger	G. Stevenson	16188	4 April	29	16 April.*
Earth-scoop	R. E. Taylor	16177	1 April	29	16 April.*
Egg-preserving	W. E. Hughes	16462	10 June	57	9 July.
Elastic-fluid compressor	H. Bland	16193	4 April	29	16 April.
Electric cable, Conduit for	T. E. Devonshire	16134	25 March	50	25 June.
Electric gas-lamp	Cooper Hewitt Electric Co.	16234	16 April	33	30 April.
Electric generator	J. H. Reid	16249	16 April	66	20 August.
Electric-motor controller	W. E. Hughes	16537	24 June	60	23 July.
Electric switch	W. Kingsland	16501	17 June	70	3 Sept.
Electric telegraph apparatus	A. Falcone	16414	27 May	50	25 June.
Electric traction system	Dolter Electric Traction, Limited	16283	28 April	37	14 May.
Electrical apparatus alternating current	J. P. Campbell	16233	16 April	33	30 April.
Electrical energy apparatus	J. T. Hunter	16169	2 April	57	9 July.
Electrical gas or vapour bath	W. E. Hughes	16230	15 April	57	9 July.
Electro-medical belt	W. C. Crump	16476	11 June	47	11 June.*
Elevator	S. Beer	16365	15 May	47	11 June.*
Elevator-chain	R. Holland	15024	23 June, 1902	47	11 June.
Elevator. (See also Straw-elevator, Screen-elevator.)					
Enamelled paste-board	C. A. Lister	16199	3 April	29	16 April.*
Engine head-lights	C. E. Fisher, R. and J. Firth, and J. Griffiths	16498	16 June	50	25 June.*
Engine. (See Gas or Explosive engine, Free-piston engine, Steam-engine.)					
Engine, Regulator for oil-	A. J. F. Tempest	16531	18 June	57	9 July.*
Envelopes	J. N. Hancock	15269	18 Aug., 1902	43	28 May.
Escape. (See Fire-escape.)					
Exhaust from oil and gas engines, Utilising	H. J. Topliss and N. Andrew	15339	1 Sept., 1902	50	25 June.
Exhausting air from can	Vacuum Tin Syndicate, Limited	16180	3 April	29	16 April.

ALPHABETICAL LIST OF INVENTIONS—continued.

Invention.	Name.	Application.		Gazette.	
		No.	Date.	No.	Date.
Extension-table	L. Kortlang, sen., and A. Kortlang	15775	17 Dec., 1902	33	30 April.
Extinguisher. (See Candle-extinguisher, Fire-extinguisher.)					
Eyeglass-suspender	A. H. Brownley	16544	22 June ..	57	9 July.*
Fabric, Indigo-coloured	J. Ribbert	16206	8 April ..	33	30 April.
Fastener, Adjustable, for animal-rugs ..	J. Oaten	16369	13 May ..	47	11 June.
Fastener for luggage-labels, &c. .. .	S. E. Denniston	16438	5 June ..	47	11 June.*
Fastener. (See also Boot-fastener, Collar and cuff fastener, Hat-fastener, Legging-fastener, Paper-fastener, Sash-fastener, Shoe-fastener, Window-fastener.)					
Fastening. (See Horse and cow fastening, Trace-fastening.)					
Fastenings, Inserting	United Shoe Machinery Company	15205	2 Aug., 1902	33	30 April.
Fatty acids and their esters, Manufacture	W. Connstein	16407	29 May ..	47	11 June.
Feed for grain, turnips, &c.	H. H. Denney	16446	5 June ..	50	25 June.*
Feeder to sheep-dip, Traversing- .. .	J. Coop	16469	9 June ..	50	25 June.*
Felling tree by mechanical power .. .	P. H. Pritchett	16273	24 April ..	37	14 May.*
Fencing-dropper	R. A. Montgomerie	16554	26 June ..	60	23 July.
Fencing-post, Making holes for .. .	G. Stevenson	16188	4 April ..	29	16 April.*
Fencing-standard	F. W. Bursill	16464	10 June ..	50	25 June.*
Fencing-staple	J. A. Rollo	16247	16 April ..	33	30 April.*
Fibre of wool, Pulling out	F. Wilkinson	16257	22 April ..	33	30 April.*
File, wire-twister, and rule	A. Gray	15267	15 Aug., 1902	43	28 May.
Filter, Water-	J. T. N. Anderson	15756	11 Dec., 1902	43	28 May.
Firearms	Winchester Repeating Arms Co.	16339	13 May ..	47	11 June.
Fire-escape	J. E. Tonkin, C. Barnett, and T. D. Jones	16338	13 May ..	43	28 May.
Fire escape, extinguisher, and alarm ..	A. Connor	16473	8 June ..	50	25 June.*
Fire-escape	I. Hurst	16419	27 May ..	47	11 June.*
Fire-escape	W. H. Keon and W. O. Miller ..	15261	15 Aug., 1902	50	25 June.*
Fire-hose coupling	S. de Beer	16295	4 May ..	43	28 May.*
Fireplace, raising or lowering cooking-range	J. A. Fiddes	16323	6 May ..	37	14 May.*
Fire-screen, window-blind, and ventilator	E. Walker	16552	26 June ..	57	9 July.*
Fish-plate	C. N. Scurr	16270	24 April ..	37	14 May.*
Fish-plate	J. Orbell	16202	3 April ..	29	16 April.*
Fish-plate	J. R. Park	16491	11 June ..	50	25 June.*
Fish-plate, Preventing nut loosening on ..	R. E. Pennington, J. Bellett ..	15623	13 Nov., 1902	33	30 April.
Flag-signal staff, Automatic	J. T. Short, T. F. Rotheram, and J. W. Shaw	16483	12 June ..	50	25 June.*
Flax, Dressing	J. D. Smith	16561	24 June ..	60	23 July.*
Flax-dressing machine	W. H. Bentham	16163	1 April ..	29	16 April.*
Flax-fibre manufacture	B. C. Mudge	16403	28 May ..	47	11 June.
Flax, Pulling out strands of	F. Wilkinson	16257	22 April ..	33	30 April.*
Flax-stripper drum truuing-up	J. Anderson	15185	29 July, 1902	37	14 May.
Flue-damper	W. Robertson	16560	24 June ..	60	23 July.*
Fluid. (See Elastic fluid.)					
Fluids, Means of heating	J. H. S. Brown	15141	22 July, 1902	47	11 June.
Fluids with gas, Charging	G. A. Lowry	16569	30 June ..	60	23 July.
Flushing latrines, &c.	J. L. Williams	16164	30 Dec., 1902	37	14 May.
Food-preserving	C. Beale	15212	2 Aug., 1902	37	14 May.
Food-preserving	J. T. Hunter	16173	2 April ..	29	16 April.
Food-product	D. R. S. Galbraith	15368	6 Sept., 1902	50	25 June.
Food, Sterilising	C. C. L. G. Budde	16326	6 May ..	43	28 May.
Foot, Pneumatic	J. Johnson	15199	30 July, 1902	37	14 May.
Force-pump	W. H. Boyens	15242	11 Aug., 1902	50	25 June.
Forging and piercing machinery	B. F. McTear and H. C. W. Gibson	16161	1 April ..	29	16 April.
Free-piston engine	E. Phillips	16400	28 May ..	50	25 June.
Friction-springs	P. Hien	15973	12 Feb. ..	47	11 June.
Fuel combustion	C. E. Bernays	16504	17 June ..	57	9 July.
Furnace, Larger consumption of carbon in	W. H. Atkin	16379	20 May ..	47	11 June.
Galvanic boot-sole	R. P. Gibbons	16331	8 May ..	43	28 May.*
Galvanic plate for boots, &c.	R. P. Gibbons	16375	14 May ..	43	28 May.*
Game, Indoor, apparatus	D. Gwillim	15341	2 Sept., 1902	47	11 June.
Game, Indoor or parlour	W. L. Cleveland	16213	8 April ..	33	30 April.*
Game, Table-	W. Dawson	15458	1 Oct., 1902	37	14 May.
Garment, Band for	R. Glendinning	16272	22 April ..	37	14 May.*
Garments, Chart for ladies'	M. E. McLeod	16183	4 April ..	29	16 April.*
Gas. (See Hydrocarbon gas, Carbonic-acid gas.)					
Gas or explosive engine	G. E. Hoyt	16417	27 May ..	50	25 June.
Gas or vapour lamp, Electric	Cooper-Hewitt Electric Company	16234	16 April ..	33	30 April.
Gas-producing plant	F. E. Bowman	16240	15 April ..	33	30 April.
Gas-stove	"Secretary"	16449	8 June ..	60	23 July.
Gas, Charging fluids with	G. A. Lowry	16569	30 June ..	60	23 July.
Gas-light controller	H. Droutledge	16530	18 June ..	57	9 July.
Gate-catch	W. Seavill	16478	8 June ..	57	9 July.*
Gate-hinge	J. Cooper	16516	16 June ..	60	23 July.
Gates. (See Swing-gates.)					
Gauntlet, Cycling	E. Saxton	15028	28 March ..	33	30 April.*
Gear for sheep-feeding rack	F. Cooper	16470	9 June

ALPHABETICAL LIST OF INVENTIONS—continued.

Invention.	Name.	Application.		Gazette.	
		No.	Date.	No.	Date.
Generator. (See Acetylene-generator, Electric-generator, Steam-generator.)					
Gold and other metals extracting ..	J. C. Clancy ..	16583	30 June ..	60	23 July.*
Gold from quartz, Extracting ..	T. Cubbins and W. Preston ..	16513	18 June ..	57	9 July.*
Gold-saving apparatus ..	H. N. McLeod and G. A. Hurley ..	15220	5 Aug., 1902	43	28 May.
Gold-saving dredge ..	T. M. O'Rourke ..	16361	16 May ..	57	9 July.
Gold-saving riffle ..	C. R. McKenzie ..	16433	4 June ..	50	25 June.
Golf-balls, Remoulding ..	L. W. Alexander ..	16277	24 April
Goods, Increasing saleability of ..	A. J. Park ..	16261	17 April ..	33	30 April.*
Grain, &c., threshing, Dressing apparatus for	J. Greenslade ..	16274	24 April ..	37	14 May.*
Grate. (See Register-grate.)					
Grip-block, Safety ..	A. V. H. Monro and H. G. W. L. Noy ..	16413	27 May ..	47	11 June.*
Hair-pin, Safety ..	A. Wilson ..	16271	23 April ..	37	14 May.*
Hammer and staple-drawer ..	A. Gray ..	15265	15 Aug., 1902	43	28 May.
Handle. (See Saw-handle.)					
Handle and support for tins ..	W. G. Hancox ..	16374	19 May ..	43	28 May.*
Handing material ..	H. W. Blaisdell ..	16231	15 April ..	37	14 May.
Harness ..	G. W. Temperley ..	16174	2 April ..	29	16 April.
Harpoon ..	W. H. Champion ..	16265	21 April ..	33	30 April.*
Harvesting-appliance ..	M. Saunders ..	15022	18 June, 1902	33	30 April.
Hat-fastener ..	W. A. Thomsen ..	15461	1 Oct., 1902	57	9 July.
Hat-fastener ..	J. H. Pomeroy ..	16236	16 April ..	33	30 April.*
Hatches, Cross-beam ..	J. Mains ..	16519	17 June ..	57	9 July.
Hauling-engine drum, Safety catch for	S. H. Wicksteed ..	16264	24 April ..	37	14 May.*
Head-lights, Locomotive ..	C. E. Fisher, R. Firth, J. Griffiths, and J. Firth ..	16498	16 June ..	50	25 June.*
Heater and burner ..	A. McLeod ..	16547	22 June ..	57	9 July.
Heating fluids ..	J. H. S. Brown ..	15141	22 July, 1902	47	11 June.*
Heating irons, Stove for ..	A. V. Maniachi ..	16205	8 April ..	33	30 April.
Heel-finishing machine ..	United Xpedite Finishing Company ..	16510	18 June ..	57	9 July.*
Heel of boot, &c., Attaching ..	United Shoe Machinery Company ..	16207	8 April ..	33	30 April.
Heel-finishing machine ..	United Xpedite Finishing Company ..	16509	18 June ..	57	9 July.*
Heel of boots, &c., Attachment to ..	A. L. Heighton ..	16136	24 March ..	50	25 June.
Heels ..	J. T. Johnson ..	15279	21 Aug., 1902	29	16 April.
Hermetically-closed can ..	Vacuum Tin Syndicate, Limited ..	16180	3 April ..	29	16 April.
Hinge ..	R. Dunne ..	16313	5 May ..	37	14 May.*
Hinge, Spring ..	A. Ball ..	16355	12 May ..	43	28 May.
Hinge. (See Gate-hinge.)					
Hobble for horses, &c. ..	H. Carlson ..	16457	9 June ..	57	9 July.*
Holder. (See Candle-holder, Cartridge-holder, Cow leg and tail holder, Menu-holder, Music-book holder, Photograph-holder, Sash-holder, Saucer and plaque holder, Tobacco-plug holder.)					
Holding material for making mitre-joints	C. N. Scurr ..	16305	1 May ..	37	14 May.*
Holes for fencing-posts, Earth-auger for ..	G. Stevenson ..	16188	4 April ..	29	16 April.*
Hood, Waterproof ..	C. F. Giessen ..	16357	15 May ..	43	28 May.*
Horseshoe ..	W. Brady ..	16160	1 April ..	29	16 April.*
Horse-collar ..	T. W. North ..	15380	11 Sept., 1902	57	9 July.
Horse or cow cover fastening ..	C. V. Spackman ..	16557	27 June ..	60	23 July.*
Horses, Yoking ..	W. H. Cochrane ..	15189	29 July, 1902	37	14 May.
Horses, Yoking ..	A. R. McIntyre ..	16480	10 June ..	57	9 July.*
Hose-pipe coupling ..	J. Worsnop ..	16412	27 May ..	47	11 June.*
Hose-coupling ..	G. W. White ..	16262	17 April ..	33	30 April.*
Hose coupling, Fire- ..	S. de Beer ..	16295	4 May ..	43	28 May.*
Hose-coupling ..	H. R. Jolly ..	16500	16 June ..	63	6 Aug.
Hydraulic press and pump ..	A. J. Tonge, J. Tonge, jun., and E. Eaves ..	16308	7 May ..	43	28 May.
Hydraulically driving shafting ..	T. Cornish ..	16284	30 April ..	37	14 May.*
Hydrocarbon-gas production ..	W. B. Walters ..	15260	16 Aug., 1902	50	25 June.
Hydrocyanic acid, Manufacture of ..	H. C. Woltereck ..	16535	24 June ..	60	23 July.
Igniting material, Mechanically	W. Muir and C. R. E. Bell ..	16325	6 May ..	43	28 May.
Impurity from boiler-water, Removing ..	A. Ross ..	16242	15 April ..	37	14 May.
Incandescent oil-gas lamp ..	F. J. Mahoney and C. Casimir ..	16406	27 May ..	47	11 June.*
Incandescent mantle ..	G. Buhlmann ..	15160	24 July, 1902	37	14 May.
Incandescent mantle ..	T. Terrell ..	16259	22 April ..	37	14 May.
Incandescent-mantle lighting apparatus	J. Tolson ..	16511	30 July, 1902+	63	6 Aug.
Incubator ..	W. G. Meddings ..	16550	23 June
Indigo-coloured fabric ..	J. Ribbert ..	16206	8 April ..	33	30 April.
Indoor-game ..	W. L. Cleveland ..	16213	8 April ..	33	30 April.*
Inflating tire of motor-car, &c. ..	H. J. Bettany ..	16327	11 May ..	43	28 May.*
Inhaler, Anaesthetic ..	H. Gunthorpe ..	16508	15 June ..	57	9 July.*
Instrument for nervous diseases ..	C. F. Bünz ..	16358	15 May ..	43	28 May.*
Irons, Stove for heating ..	A. V. Maniachi ..	16205	8 April ..	33	30 April.
Jack. (See Lever-jack, Lifting-jack.)					
Jars, improvement in bottoms, &c. ..	J. Brough ..	16385	20 May ..	47	11 June.
Kitchen-table ..	H. M. Rosenberg ..	16200	7 April ..	29	16 April.*
Knife ..	J. W. Mulhare ..	16540	20 June ..	57	9 July.

ALPHABETICAL LIST OF INVENTIONS—continued.

Invention.	Name.	Application.		Gazette.	
		No.	Date.	No.	Date.
Lamb's tail, Searing and docking	E. H. Wilhelm	16315	14 April ..	43	28 May.
Lamp. (See Carriage-lamp, Incandescent gas-lamp, Electric gas-lamp.)					
Lamp-light controller	H. Droutlege	16530	18 June ..	57	9 July.
Lamp-pendant	E. J. Shaw	16502	17 June ..	57	9 July.
Land digger and cultivator	T. C., T. A., and S. C. Darby ..	15314	27 Aug., 1902	33	30 April.
Latrine, &c., Automatic flushing	J. L. Williams	16164	30 Dec., 1902	37	14 May.
Laundry-stove	S. J. Wickham	16437	4 June ..	47	11 June.*
Leather articles	G. W. Temperley	16174	2 April ..	29	16 April.
Leather-skiving machine	United Shoe Machinery Company	15207	2 Aug., 1902	33	30 April.
Legging-fasteners	C. W. and H. S. Wyotherley ..	16279	29 April ..	37	14 May.*
Leggings				43	28 May.
Leggings	F. Ryding	16488	12 June ..	57	9 July.
Leggings	J. Duncan	16499	16 June ..	50	25 June.*
Letter-stamping machine	W. H. H. Hollinworth	16493	12 June ..	50	25 June.*
Letters, Manufacture of	H. D. Turner	16344	13 May ..	43	28 May.*
Lever-jack	B. and W. Trehwella	16524	19 June ..	57	9 July.
Lifting-jack	J. T. Kebbleshite and R. W. Short	16392	27 May ..	50	25 June.*
Lid of travelling-trunk, Keeping open	W. Madden and H. Hoverd ..	16275	25 April ..	37	14 May.*
Lid for milk-cans	R. W. Ashcroft and W. J. Maddren	16452	8 June ..	57	9 July.
Lighting apparatus, Incandescent-mantle	J. Tolson	16511	30 July, 1902+	63	6 Aug.
Light-controller	H. Droutlege	16530	18 June ..	57	9 July.*
Link-blade device for cream-separator	A. Harvey	16292	27 April ..	37	14 May.*
Linotype machine	H. McGowan	15717	4 Dec., 1902	33	30 April.
Linotype machine	J. G. Holbourns and H. A. Longhurst	16381	22 May ..	50	25 June.
Link, Sleeve-	E. Jones	16532	23 June ..	57	9 July.*
Liquid from receptacle, Withdrawing	H. M. Rockell and F. Thomson ..	16328	11 May ..	43	28 May.
Lock. (See Bicycle-wheel lock, Cycle-lock, Mail-bag lock, Sash-lock, Seal-lock, Vehicle-wheel lock, Window-lock.)					
Locking-device for bicycle	R. Congreve	16186	4 April ..	29	16 April.*
Locking-dog for nut	C. N. Scurr	16312	5 May ..	37	14 May.*
Lock-nut	F. W. Payne	16367	13 May
Lock-nut plate	R. E. Pinnington and J. Bellett	15623	13 Nov., 1902	33	30 April.
Lowering and raising oven-shelf	J. A. Beale	16309	7 May ..	43	28 May.
Lubricator for plough-skeiths ..	G. T. Booth and W. Brew	16445	5 June ..	50	25 June.*
Lubricator for vehicle-wheel ..	A. M. Legge	16248	16 April ..	33	30 April.*
Lubricator, Windmill	J. O'Neil	16290	29 April ..	43	28 May.*
Luggage-label, Spring hook for	J. F. Wilson and E. H. Whitmore	16217	4 May ..	43	28 May.
Luggage label. (See Fastener for)					
Luminous rim and hands for watches, &c.	J. S. Gray	16388	22 May ..	47	11 June.*
Mail-bag lock	J. Channon	16187	4 April ..	29	16 April.
Mantle, Incandescent	G. Buhlmann	15160	24 July, 1902	37	14 May.
Mantle, Incandescent	T. Terrell	16259	22 April ..	37	14 May.
Map-producer	F. S. Ransom	16551	26 June ..	57	9 July.*
Marking-tool for boilermakers ..	C. Trillo and W. A. Gaffney ..	16522	20 June ..	57	9 July.*
Material, Cutting, into strips ..	A. G. Baker, C. and G. Croxford, and J. McQueen	16304	1 May ..	37	14 May.*
Material-dividing machine	D. Thomson	16442	4 June
Material, Handling	H. W. Blaisdell	16231	15 April ..	37	14 May.
Material for mitre-joints, Holding	C. N. Scurr	16305	1 May ..	37	14 May.*
Measuring and weighing milk ..	E. W. Lloyd	16346	14 May ..	43	28 May.*
Meat, Preservation of	R. Emmerich	16566	25 June ..	60	23 July.
Medical preparation	T. Potts	16360	16 May ..	47	11 June.
Medicine for venereal diseases ..	W. H. Champion	16455	4 June ..	50	25 June.
Menu-holder	H. Ashworth	16432	4 June ..	47	11 June.*
Metals and minerals, Recovery of	R. L. Montagu	16517	16 June ..	57	9 July.*
Metals. (See Precious metals.)					
Metals from ores, Extracting ..	J. C. Clancy	16583	30 June ..	60	23 July.*
Milk cooler or refrigerator	J. Kerr	16396	28 May ..	47	11 June.
Milk-can lid	R. W. Ashcroft and W. J. Maddren	16452	8 June ..	57	9 July.
Milk, Drying and preserving ..	J. R. Hatmaker	16287	30 April ..	37	14 May.
Milk, Measuring or weighing ..	E. W. Lloyd	16346	14 May ..	43	28 May.*
Milk and other food product ..	D. R. S. Galbraith	15368	6 Sept., 1902	50	25 June.
Milk strainer and aerator	W. Beaumont	16363	18 May ..	47	11 June.*
Milk-strainer	J. Kerr	16370	19 May ..	47	11 June.
Milk, Weighing and measuring ..	H. D. Turner	16344	13 May ..	43	28 May.*
Milk weighing and delivery apparatus	A. J. Park and H. M. Thorpe ..	16239	17 April ..	33	30 April.
Milking-apparatus: Pneumatic means of pulsating teat-cups	A. Gillies	16378	20 May ..	47	11 June.
Milking-apparatus, Pneumatic ..	A. Gillies	16348	14 May ..	43	28 May.
Milking-apparatus, Pneumatic ..	A. Gillies	16022	25 February	47	11 June.
Milking-bucket	J. Kerr	16371	19 May ..	47	11 June.
Mill. (See Crushing-mill.)					
Mine-skip, Safety-gear for	W. B. Stevenson	16401	28 May ..	47	11 June.
Mineral deposits, Detecting and localising	W. E. Hughes	16076	11 March ..	50	25 June.
Minerals, Separation of	G. A. Goyder and E. Laughton ..	16466	10 June ..	50	25 June.*
Mining press and pump	A. J. Tonge, J. Tonge, jun., and E. Eaves	16308	7 May ..	43	28 May.
Mirrors, Pivot for	R. N. Adams	16364	15 May ..	47	11 June.*
Mitre-box	R. Dunne	15881	15 January ..	37	14 May.
Mitre-cutting machine	R. Dunne	15176	23 July, 1902	33	30 April.
Mitre-cutting frame, Arm-adjustment for..	C. N. Scurr	16306	2 May ..	37	14 May.*

ALPHABETICAL LIST OF INVENTIONS—*continued.*

Invention.	Name.	Application.		Gazette.	
		No.	Date.	No.	Date.
Mitre-joint, Holding material for	C. N. Scurr	16305	1 May	37	14 May.*
Mitre-shooting block	A. F. Gungall	16222	14 April	33	30 April.*
Mortise-machine	G. Bish	16359	13 May	43	28 May.*
Mortising, Boring and tenoning	G. Bish and J. Johnston	16546	20 June	57	9 July.*
Motion-changing gear for windmill	J. Alston	16208	8 April	33	30 April.
Motor-bicycle, &c., chain-drive	G. Porter	16195	6 April	33	30 April.*
Motor-car brake apparatus and tire-inflater	H. J. Bettany	16327	11 May	43	28 May.*
Motor-car. Preventing side slip of	S. Butler	16324	6 May	43	28 May.
Motor cycle and car, Gear for	D. W. McLean	16477	11 June	50	25 June.*
Motor-traction for agricultural purposes	Ivel Agricultural Motors, Limited	16341	13 May	43	28 May.
Motor. (See also Electric motor.)					
Music-binder	J. Foster	16263	18 April.
Music-binder	J. Foster	16329	8 May	43	28 May.
Music-book holder	R. Chambers	15188	29 July, 1902	37	14 May.
Musical instrument	E. de Kleist	16340	13 May	43	28 May.
Nails: Assorting mechanism	United Shoe Machinery Company	15413	18 Sept., 1902	57	9 July.
Nail-holder	H. Coe	16434	4 June	47	11 June.*
Nail, Metal-headed wire	C. F. Dunn	16349	14 May	47	11 June.
Necktie-clip	J. Montgomery	16317	8 May	43	28 May.
Nervous diseases, Instrument for treating	C. F. Bünz	16358	15 May	43	28 May.*
Newspaper-vending machine	R. H. Brooks	16479	8 June	57	9 July.*
Non-refillable bottle	R. Dunne	16507	13 June	57	9 July.
Non-refillable bottle	P. B. Jagger	16299	6 May	43	28 May.
Non-refill bottle	E. Johanson	16316	8 May	43	28 May.
Non-refillable bottle	F. McLeod	15030	23 June, 1902	33	30 April.
Noxious weeds destruction	T. Miller and J. Falloon	16389	26 May	47	11 June.*
Nurling-machine	United Shoe Machinery Company	16229	15 April	33	30 April.*
Nut, Locking-dog for	C. N. Scurr	16312	5 May	37	14 May.*
Nut, Preventing loosening of	R. E. Pennington and J. Bellett	15623	13 Nov., 1902	33	30 April.
Oil emulsion	R. Baxter	16439	1 June	47	11 June.*
Oil-regulator for oil-engine	A. J. F. Tempest	16531	18 June	57	9 July.*
Outline-maps, Machine for producing	F. S. Ramson	16551	26 June	57	9 July.*
Outtrigger vehicle draw-gear	R. D. Kelly	15254	15 Aug., 1902	37	14 May.
Oven-door, Transparent	C. C. Gardner	16525	19 June	60	23 July.
Oven shelf	J. A. Beale	16309	7 May	43	28 May.
Overhead railway-switch	J. Anderson and A. E. M. Aschman	16310	7 May	37	14 May.*
Oysters. (See Bivalves.)					
Packing-case, Collapsible	R. W. Ashcroft, W. J. Maddren, and S. Ashcroft	16254	20 April	33	30 April.*
Packing tobacco	R. H. Fancourt	16468	6 June	57	9 July.
Paint	C. H. Ward	16184	4 April	29	16 April.*
Paint-brush binder	C. Sawyer	15319	28 Aug., 1902	33	30 April.*
Paint-removing machine	R. B. Wight	16549	22 June	57	9 July.*
Paper-fastener	J. B. Poynter	16494	15 June	66	20 August.*
Parlour game	W. L. Cleveland	16213	8 April	33	30 April.*
Pasteboard	C. A. Lister	16199	3 April	29	16 April.*
Pavement, Composition for	J. Crothers	16426	2 June	47	11 June.*
Pawl of lever-jack	B. and W. Trehwella	16524	19 June	57	9 July.*
Peg	D. P. Fisher and J. D. Kelly	16289	30 April	37	14 May.*
Pegless clothes-line	J. H. Thompson	16402	28 May	63	6 August.
Pendant, Lamp	E. J. Shaw	16502	17 June	57	9 July.
Photograph-holder	J. L. Nicol	16321	6 May	37	14 May.*
Photographic plate, Changing and developing	W. Thomas	16016	20 Feb.	37	14 May.
Pianoforte attachment	R. Chambers	15188	29 July, 1902	37	14 May.
Pick, Agricultural	A. V. Challier	16563	25 June	60	23 July.
Picture-framing, Mitre-shooting block for	A. F. Gungall	16222	14 April	33	30 April.*
Pie-dish	E. B. Arthur	15127	17 July, 1902	33	30 April.
Piercing and forging machinery	B. F. McTear and H. C. W. Gibson	16161	1 April	29	16 April.
Pigment, Manufacture of	C. H. Ward	16184	4 April	29	16 April.*
Pile	Raymond Concrete Pile Company	16167	2 April	33	30 April.
Pivot-blade joint for railway-crossing	W. Watts	15493	9 Oct., 1902	33	30 April.
Pivots for swinging mirrors, &c.	R. N. Adams	16364	15 May	47	11 June.*
Plate. (See Galvanic plate, Lock-nut plate.)					
Plaque, &c., holder	J. L. Nicol	16321	6 May	37	14 May.*
Plough-skeith, Lubricator for	G. T. Booth and W. Brew	16445	5 June	50	25 June.*
Plough. (See Potato-plough.)					
Pneumatic drill	G. H. Hayes	16209	8 April	33	30 April.
Pneumatic foot	J. Johnson	15199	30 July, 1902	37	14 May.
Pneumatic milking-apparatus	A. Gillies	16348	14 May	43	28 May.
Pneumatic tire, Unpuncturable	C. J. Pickard and H. A. Ward	16314	8 May	37	14 May.*
Pneumatic-tire inflater	H. J. Bettany	16327	11 May	43	28 May.
Pocket-book	C. M. Morrison	16224	14 April	33	30 April.
Pocket-knife	J. W. Mulhare	16540	20 June	57	9 July.*
Post. (See Fencing-post, Tethering-post.)					
Potato-cleaner	J. A. Boyd	16386	26 May	47	11 June.*
Potato-digger	J. R. Walsh	16219	9 April	33	30 April.*
Potato-plough	G. W. Remmant	16436	4 June	47	11 June.*
Power-generator, Tidal	H. W. Meinung	16543	25 June	57	9 July.
Power-transmitting device	I. Deutch and E. J. Featherstonehaugh	16350	14 May	47	11 June.

ALPHABETICAL LIST OF INVENTIONS—continued.

Invention.	Name.	Application.		Gazette.	
		No.	Date.	No.	Date.
Precious metal from ore, Recovering ..	T. J. Grier	16302	6 May ..	43	28 May.
Precious metals, Recovering ..	H. L. Sulman and H. F. Kirkpatrick-Picard	16505	17 June ..	57	9 July.
Preserving food	J. T. Hunter	16173	2 April ..	29	16 April.
Preserving food, &c.	C. Beale	15212	2 Aug., 1902 ..	37	14 May.
Preserving meat	R. Emmerich	16566	25 June ..	60	23 July.
Preserving, &c., Milk	J. R. Hatmaker	16287	30 April ..	37	14 May.
Press and pump for mining, Hydraulic ..	A. J. Tonge, J. Tonge, jun., and E. Eaves	16308	7 May ..	43	28 May.
Pressure-protector frame for diving-dresses	A. E. Rouse	16482	12 June ..	50	25 June.*
Preventing cow from kicking. (See Cow-kicking.)					
Probe for teat of cow	C. Ridd and C. E. Young	15964	10 Feb. ..	33	30 April.
Propeller, Spiral screw-	E. V. Dixon	16278	28 April ..	37	14 May.*
Pulverising-mill	Elspass Roller Quartz-mill and Manufacturing Company	16258	22 April ..	47	11 June.
Pump, Centrifugal tailings, &c.	L. Phillips	16252	20 April ..	33	30 April.*
Pump for mining, Hydraulic	A. J. Tonge, J. Tonge, jun., and E. Eaves	16308	7 May ..	43	28 May.
Pump. (See Force-pump.)					
Rabbit-crate	J. G. Scoullar	16411	26 May ..	47	11 June.*
Rabbit-extermimator	T. G. Russell and A. H. P. Noble	15057	28 June, 1902 ..	57	9 July.
Rabbit-trap	J. Campbell	15370	9 Sept., 1902 ..	47	11 June.
Rackarock cartridge draining	Australian Explosives and Chemical Company, Limited	16227	15 April ..	33	30 April.*
Railway-bicycle trolley	J. Kelly	16216	7 April ..	33	30 April.*
Railway-car, Construction of	P. Herbert	16404	28 May ..	50	25 June.*
Railway-couplings	Westinghouse Brake Company, Limited	16428	2 June ..	50	25 June.
Railway-coupling device	G. E. Richardson	16286	30 April ..	37	14 May.
Railway-crossing pivot-blade joint	W. Watts	15493	9 Oct., 1902 ..	33	30 April.
Railway-signalling appliance	T. Cairns	16570	30 June ..	63	6 Aug.
Railway-switch, Overhead	J. Anderson and A. E. M. Aschman	16310	7 May ..	37	14 May.*
Railway-vehicle, Coupling and uncoupling	S. Lintern	16343	13 May ..	43	28 May.*
Raising cooking-range fireplace	J. A. Fiddes	16323	6 May ..	37	14 May.*
Raising sunken vessel	D. C. Groves and A. R. Stanton	16096	16 March ..	37	14 May..
Ratchet screw-wrench	G. S. Evans	16394	28 May ..	47	11 June.*
Rat-trap	G. Holford	16451	8 June ..	57	9 July.
Rat-trap	P. V. L. Alkemade	16514	18 June ..	57	9 July.
Reaping-machine cutting mechanism	F. Butterick	16431	2 June ..	47	11 June.*
Receptacle, Withdrawing liquid from	H. M. Rockall and F. Thomson.. ..	16328	11 May ..	43	23 May.
Refrigerating apparatus, Means of determining quantity of liquid in	J. Smaill	14830	2 May, 1902 ..	47	11 June.
Register-grate, Adjusting shutters of	H. A. E. Kelly	16486	13 June ..	50	25 June.*
Register-grate, Draught-creating device for Regulator. (See Trap-seat regulator.)	H. A. E. Kelly	16484	9 June ..	50	25 June.*
Remedy for cancer	H. Currie	16238	15 April ..	33	30 April.*
Rifle. (See Gold-saving rifle.)					
Rivet	E. M. McLauchlan	16172	2 April ..	29	16 April.*
Roads, Breaking-up, &c.	T. C., T. A., and S. C. Darby	15314	27 Aug., 1902 ..	33	30 April.
Roller crushing-mill	E. Waters, jun.	16503	17 June ..	57	9 July.
Rule, wire-twister, and file	A. Gray	15267	15 Aug., 1902 ..	43	28 May.
Rust-remover	R. B. Wight	16549	22 June ..	57	9 July.*
Saddle-cloth	G. W. L. Mackay	16244	15 April ..	33	30 April.*
Saddle tool-bag	A. Gray	15266	15 Aug., 1902 ..	43	28 May.
Safety-catch for hauling-engine drum	S. H. Wicksteed	16264	24 April ..	37	14 May.*
Safety-gear for mine skip, cages, &c.	W. B. Stevenson	16401	28 May ..	47	11 June.
Safety-hairpin	A. Wilson	16271	23 April ..	37	14 May.*
Saleability of goods, Increasing	A. J. Park	16261	17 April ..	33	30 April.*
Sales-book, Counter-check	C. B. Smith	16330	8 May ..	43	28 May.
Sand and tailings pump	L. Phillips	16252	20 April ..	33	30 April.*
Sash, Balancing window-	C. L. Stokes	16237	16 April ..	33	30 April.*
Sash-fastener	R. Baxter	16559	24 June ..	60	23 July.*
Sash fastener	J. McK. Macintosh	16372	19 May ..	43	28 May.*
Sash-fastener	A. F. W. Lorie	16418	29 May ..	47	11 June.*
Sash fastener, Window-	W. T. Michelli	15010	17 June, 1902 ..	37	14 May.
Sash hanger and lock	G. M. Scott	16582	29 June ..	60	23 July.*
Sash holder and lock	A. H. Wylda	16276	28 April ..	37	14 May.*
Sash lock, Window-	J. Hessey	16223	14 April ..	33	30 April.*
Sash mover and lock	J. R. Park	16489	12 June ..	50	25 June.*
Sash retainer, Window-	S. Lintern	16255	22 April ..	33	30 April.*
Saucer, &c., holder	J. L. Nicol	16321	6 May ..	37	14 May.*
Saw-handle	N. L. Nicholson	16459	9 June ..	50	25 June.*
School-bag shoulder-strap	G. Goosman	15196	28 July, 1902 ..	37	14 May.
School-slate cleaner	R. T. Stewart	16384	20 May ..	47	11 June.*
Scissors, shears, &c.	A. Wood	16526	19 June ..	60	23 July.
Scoop, Earth-	R. E. Taylor	16177	1 April ..	29	16 April.*
Scraper for agricultural implement wheels	A. E. Watson	16527	19 June ..	60	23 July.
Screen and elevator for gold-dredge	T. M. O'Rourke	16361	16 May ..	57	9 July.
Screw	J. Wren	16380	22 May ..	47	11 June.*
Screw-propeller for vessels	E. V. Dixon	16278	28 April ..	37	14 May.*
Scuttle. (See Coal-scuttle.)					

ALPHABETICAL LIST OF INVENTIONS—continued.

Invention.	Name.	Application.		Gazette.	
		No.	Date.	No.	Date.
Seal-lock for mail-bag ..	J. Channon ..	16187	4 April ..	29	16 April.
Sealing jar for preserving food ..	J. T. Hunter ..	16173	2 April ..	29	16 April.
Sealing. (See Bottle-sealing.)					
Searing and docking lambs' tails ..	E. H. Wilhelm ..	16315	14 April ..	43	28 May.
Seat. (See Trap-seat.)					
Secateur ..	J. R. Park ..	16487	12 June ..	50	25 June.*
Seed and fertiliser drill attachment ..	R. Ennis ..	16443	4 June ..	50	25 June.*
Seed-drill ..	R. B. Restell ..	16235	16 April ..	37	14 May.*
Seeds, grain, &c., Feed for ..	H. H. Denney ..	16446	5 June ..	50	25 June.*
Seed-sower ..	J. Gray ..	16528	19 June ..	57	9 July.*
Seed-sower ..	W. Lowe ..	16297	1 May ..	37	14 May.*
Seed, &c., thresher, Dressing-apparatus for ..	J. Greenslade ..	16274	24 April ..	37	14 May.*
Separator, Link-blade device for cream- ..	A. Harvey ..	16292	27 April ..	37	14 May.*
Settee and billiard-table, Convertible ..	H. U. Alcock ..	15373	6 Sept., 1902	50	25 June.
Sewer, Ventilation of ..	R. R. Donaldson ..	16197	6 April ..	29	16 April.
Shaft-tug ..	H. Durand ..	16319	7 May
Shafting, Driving, hydraulically ..	T. Cornish ..	16284	30 April ..	37	14 May.*
Sheaf-binding harvester and straw-trusser ..	I. Trolley ..	15600	5 Nov., 1902	50	25 June.
Shears, Garden- ..	H. Durand ..	16320	7 May
Shears ..	J. W. Mulhare ..	16515	15 June
Shears, scissors, &c. ..	A. Wood ..	16526	19 June ..	60	23 July.
Sheep-dip, Traversing-feeder to ..	J. Coop ..	16469	9 June ..	50	25 June.*
Sheep-dipping apparatus ..	S. H. Day ..	16492	11 June ..	50	25 June.*
Sheep-feeding rack, Gear for ..	F. Cooper ..	16470	9 June
Shelf. (See Oven-shelf.)					
Ship, turning by main engines ..	J. B. Blair ..	16194	4 April ..	29	16 April.
Ship's ventilator ..	T. Q. East ..	16225	14 April ..	33	30 April.*
Shirt, &c., fastener ..	F. M. Linley ..	16266	24 April ..	37	14 May.
Shirt-sleeve adjuster ..	J. C. Booth ..	16351	14 May ..	43	28 May.*
Shoe-fastener ..	C. D. Brent ..	16356	11 May ..	43	28 May.
Shoe. (See Brake-shoe, Horse-shoe.)					
Shot-making machine ..	A. G. Baker, C. and G. Croxford, and J. McQueen ..	16303	1 May ..	37	14 May.*
Shoulder-strap for school-bag, &c. ..	G. Goosman ..	15196	28 July, 1902	37	14 May.
Show-card, Spring hook for ..	J. F. Wilson and E. H. Whitmore ..	16217	4 May ..	43	28 May.
Side-slipping of motor car, &c., Preventing ..	S. Butler ..	16324	6 May ..	43	28 May.
Sign ..	H. D. Turner ..	16343	13 May ..	43	28 May.*
Signal. (See Flag-signal.)					
Signalling-target ..	G. W. L. Mackay ..	16243	15 April ..	33	30 April.*
Signalling-appliance ..	T. Cairns ..	16570	30 June ..	63	6 Aug.
Siphon ..	W. Waters ..	16220	8 April ..	33	30 April.*
Skeleton-bearing ..	M. Wagner ..	16395	28 May ..	57	9 July.
Skidding of motor-car, &c., Preventing ..	S. Butler ..	16324	6 May ..	43	28 May.
Skiving-machine ..	United Shoe Machinery Company ..	15203	2 Aug., 1902	33	30 April.
Skiving-machine ..	United Shoe Machinery Company ..	15204	2 Aug., 1902	33	30 April.
Skiving-machine, Leather ..	United Shoe Machinery Company ..	15207	2 Aug., 1902	33	30 April.
Skylight ..	A. and J. Peterson ..	16260	17 April ..	33	30 April.*
Skylights ..	T. C. Griffiths ..	16383	23 May ..	47	11 June.*
Slack-adjuster for brake ..	G. A. Pearson ..	16558	27 June ..	60	23 July.*
Sleeve-link ..	E. Jones ..	16532	23 June ..	57	9 July.*
Sleeve. (See Shirt-sleeve.)					
Smoke and spark preventer ..	C. E. Bernays ..	16504	17 June ..	57	9 July.
Snatch-block ..	A. Bishop ..	16298	4 May ..	43	28 May.
Sole of boot, Galvanic- ..	R. P. Gibbons ..	16331	8 May ..	43	28 May.*
Sole of boot ..	G. W. Temperley ..	16174	2 April ..	29	16 April.
Sower. (See Seed-sower.)					
Solution for paints, Street-sprinkling ..	C. V. Potter ..	16397	28 May ..	47	11 June.*
Sound-vibrations in water, Means for producing ..	Submarine Signal Company ..	16467	6 June ..	57	9 July.
Spark-arrester ..	J. Whitehouse ..	15429	22 Sept., 1902	57	9 July.
Spark-arrester ..	I. N. and C. L. Watt ..	16472	8 June ..	50	25 June.*
Spark-arrester ..	W. and J. Stenhouse ..	16490	12 June ..	50	25 June.*
Spark and smoke preventer ..	C. E. Bernays ..	16504	17 June ..	57	9 July.
Spile for beer-casks ..	C. J. Cooze ..	16453	8 June ..	50	25 June.*
Spiral screw-propeller ..	E. V. Dixon ..	16278	28 April ..	37	14 May.*
Spring-winding apparatus for eye-glasses, &c. ..	A. H. Brownley ..	16544	22 June ..	57	9 July.*
Spring, Friction ..	P. Hien ..	15973	12 Feb. ..	47	11 June.
Spring hinge ..	A. Ball ..	16355	12 May ..	43	28 May.*
Spring hook for securing label, &c. ..	J. F. Wilson and E. H. Whitmore ..	16217	4 May ..	43	28 May.
Sprocket, Pitch-chain and ..	G. Davidson ..	16568	29 June ..	60	23 July.*
Standard and dropper, Wire-fencing ..	L. H. McHardy ..	16456	6 June ..	50	25 June.
Staple-drawer and claw-hammer ..	A. Gray ..	15265	15 Aug., 1902	43	28 May.
Staple, Fencing ..	J. A. Rollo ..	16247	16 April ..	33	30 April.*
Staple for book-binding ..	E. M. McLauchlan ..	16171	2 April ..	29	16 April.*
Steam-engine ..	G. S. Morison ..	16232	16 April ..	33	30 April.*
Steam-generator ..	J. Smail ..	16565	25 June ..	60	23 July.*
Steering-gear, Auxiliary ..	J. B. Blair ..	16194	4 April ..	29	16 April.
Sterilising food ..	C. C. L. G. Budde ..	16326	6 May ..	43	28 May.
Stoker. (See Chain-grate stoker.)					
Stone-brick, Artificial ..	L. P. Ford ..	16166	2 April ..	33	30 April.
Stopper. (See Bottle-stopper.)					
Stove. (See Laundry-stove, Gas-stove.)					
Stove for heating irons ..	A. V. Maniachi ..	16205	8 April ..	33	30 April.
Strainer. (See Wire-strainer, Milk-strainer.)					
Strand of wool, &c., Pulling out ..	F. Wilkinson ..	16257	22 April ..	33	30 April.*

ALPHABETICAL LIST OF INVENTIONS—continued.

Invention.	Name.	Application.		Gazette.	
		No.	Date.	No.	Date.
Strap-buckle, Seal-lock for	J. Channon	16187	4 April ..	29	16 April.
Strap for bags	G. Goosman	15196	28 July, 1902	37	14 May.
Straw-elevator of thresher	G. Stevenson	16189	4 April ..	29	16 April.*
Straw-trusser	I. Trolley	15600	5 Nov., 1902	50	25 June.
Street-cleaner	O. A. Jorgensen and L. A. Needham	16567	29 June ..	60	20 August.
Strips, &c., Cutting material into ..	A. G. Baker, C. and G. Croxford, and J. McQueen	16304	1 May ..	37	14 May.*
Sulphates, Dry and alkali metals, manufacture	S. Trivick	16405	28 May ..	47	11 June.
Sulphur from ore, Eliminating	E. H. Miller	16300	6 May ..	43	28 May.
Sunken vessel, Raising	D. C. Groves and A. R. Stanton..	16096	16 March ..	37	14 May.
Swing-gates, Opening and closing ..	G. Renner and W. H. Boyens ..	16387	26 May ..	47	11 June.*
Swinging ship by main engine	J. B. Blair	16194	4 April ..	29	16 April.
Switch, Electric	W. Kingsland	16501	17 June ..	70	8 Sept.
Switch for overhead railway	J. Anderson and A. E. M. Aschman	16310	7 May ..	37	14 May.*
Table. (See Billiard-table.)					
Table, Convertible	H. U. Alcock	15259	12 Aug., 1902	43	28 May.
Table, Extension	L. Kortlang, sen., and A. Kortlang	15775	17 Dec., 1902	33	30 April.
Table-game	W. Dawson	15458	10 Oct., 1902	37	14 May.
Table, Kitchen-	H. M. Rosenberg	16200	7 April ..	29	16 April.*
Tailings and sand pump	L. Phillips	16252	20 April ..	33	30 April.*
Tallying and weighing carcases Tank. (See Concrete tank.)	E. Moss	16250	17 April ..	33	30 April.*
Tank, Water-purifier for	J. W. Mulhare	16471	4 June ..	50	25 June.*
Tanning-preparation	A. G. French	16408	26 May ..	47	11 June.*
Tap	J. Anderson	16474	8 June ..	57	9 July.
Tap to drum, Attaching draw-off ..	A. M. S. Watts	16288	30 April ..	37	14 May.*
Target apparatuses	A. Moul	16332	12 May ..	50	25 June.
Target, Self-registering	G. A. Peters	16362	13 May ..	47	11 June.
Target, Signalling-	G. W. L. Mackay	16243	15 April ..	33	30 April.*
Teapot	R. Allen	16294	29 April ..	37	14 May.*
Teat of cow, Probe for	C. Ridd and C. E. Young	15964	10 Feb. ..	33	30 April.
Telegraph apparatus, Electric	A. Falcone	16414	27 May ..	50	25 June.
Tenoning, boring, and mortising ..	G. Bish and J. Johnston	16546	20 June ..	57	9 July.
Terret	R. F. Brown	16523	18 June ..	57	9 July.*
Tethering-post	J. W. Branford	16553	26 June ..	60	23 July.
Thresher, Dressing-apparatus for seed, &c.	J. Greenslade	16274	24 April ..	37	14 May.*
Thresher, Straw-elevator of	G. Stevenson	16189	4 April ..	29	16 April.*
Ticket dater	W. P. Nolan	16212	6 April ..	37	14 May.*
Tidal-power generator	H. M. Meinung	16543	25 June ..	57	9 July.*
Tie-clip	J. Montgomery	16192	4 April ..	29	16 April.
Tie-clip	J. Montgomery	16317	8 May ..	43	28 May.
Tightener. (See Wire-tightener.)					
Tin opener and cutter	G. J. Smith and J. Scott	16382	19 May ..	47	11 June.*
Tin, handle and support	W. G. Hancox	16374	19 May ..	43	28 May.*
Tip-wagon	H. S. Hayling	16461	10 June ..	57	9 July.
Tires for vehicle-wheels	F. W. Harradence	16533	19 June ..	57	9 July.*
Tire of bicycle, &c., Vulcanised cover for	G. T. Shilton and A. Schultze ..	16196	2 April ..	29	16 April.*
Tire setter and extractor	W. Murphy	16354	12 May ..	43	28 May.*
Tire. (See Pneumatic tire.)					
Tobacco-cake, Packing	R. H. Fancourt	16468	6 June ..	57	9 July.
Tobacco-plug holder and cutter	J. H. Cobb	16291	29 April ..	37	14 May.*
Tobacco-transporting box	W. E. Shaw	15209	2 Aug., 1902	37	14 May.
Toe-protector for boots and shoes ..	R. Collins	16393	28 May ..	47	11 June.*
Tool-bag, Saddle	A. Gray	15266	15 Aug., 1902	43	28 May.
Trace-attachment	A. Dale	16555	24 June ..	60	23 July.
Trace-fastening	H. Durand	16318	7 May ..	47	11 June.
Traction on wooden tramway	W. L. Luxford	15056	30 June, 1902	29	16 April.
Traction, Surface-contact electric ..	Dolter Electric Traction, Limited	16283	28 April ..	37	14 May.
Tractor, Agricultural motor-	Ivel Agricultural Motors, Limited	16341	13 May ..	43	28 May.
Trader's sales-book	C. B. Smith	16330	8 May ..	43	28 May.
Tram and railway car construction ..	P. Herbert	16404	28 May ..	50	25 June.*
Tramway traction, Wooden	W. L. Luxford	15056	30 June, 1902	29	16 April.
Tramway-lines, Cleansing	C. H. Jerrard	16347	14 May ..	47	11 June.
Trap-seat regulator	W. Murphy	16352	12 May ..	43	28 May.*
Trap. (See Animal-trap, Bird-trap, Rabbit-trap, Rat-trap.)					
Travelling-trunk, Keeping open lid of ..	W. Madden and H. Hovord	16275	25 April ..	37	14 May.*
Tree, Felling	P. H. Pritchett	16273	24 April ..	37	14 May.*
Trimming ends of cigarettes	T. Whitehorn	16245	15 April ..	33	30 April.*
Trolley, Railway-bicycle	J. Kelly	16216	7 April ..	33	30 April.*
Trouser-clip for cyclist	H. Thompson and J. D. Tripe ..	16281	20 April ..	37	14 May.*
Troughs for underground cable, &c. ..	T. E. Devonshire	16134	25 March ..	50	25 June.
Truing up flax-stripper drum	J. Anderson	15185	29 July, 1902	37	14 May.
Tube-cleaner	W. J. S. Layton	16296	1 May ..	37	14 May.*
Tubes, Manufacture of	B. F. McTear and H. C. W. Gibson	16161	1 April ..	29	16 April.
Turbines, Steam-	Hon. C. A. Parsons	16335	13 May ..	47	11 June.
Turbines, Elastic-fluid	T. G. E. Lindmark	16415	27 May ..	50	25 June.
Turning boot or shoe	United Shoe Machinery Company	15103	10 July, 1902	33	30 April.
Turning ship by main engine	J. B. Blair	16194	4 April ..	29	16 April.
Twine	W. Deering	16342	13 May ..	43	28 May.
Twister. (See Wire-twister.)					
Type-matrices, Assembly of	J. G. Holbourns and H. A. Longhurst	16381	22 May ..	50	25 June.

ALPHABETICAL LIST OF INVENTIONS—*continued.*

Invention.	Name.	Application.		Gazette.	
		No.	Date.	No.	Date.
Typewriter	G. W. Donning and H. T. Ambrose	16556	23 June ..	63	6 August.
Umbrella-tip retainer	J. Coventry	15989	14 Feb. ..	50	25 June.
Urinal, automatic flushing	J. L. Williams	16164	30 Dec., 1902	37	14 May.
Valve-gear for steam-engine	W. Mayne	16185	4 April ..	29	16 April.
Vehicle-brake	W. Murphy	16353	12 May ..	43	28 May.*
Vehicle-brake	W. E. Hughes	16536	24 June ..	60	23 July.
Vehicles, Drawbar for	G. S. Stevenson	16458	9 June ..	50	25 June.*
Vehicle draw-gear, Outtrigger	R. D. Kelly	15254	15 Aug., 1902	37	14 May.
Vehicle wheel, Road-	J. Ainsworth	16241	15 April ..	37	14 May.
Vehicle, &c., wheel	D. Pope	16203	3 April ..	29	16 April.*
Vehicle-wheel lubricator	A. M. Legge	16248	16 April ..	33	30 April.*
Vehicle-wheel lock	A. Cooper	15232	7 Aug., 1902	43	28 May.
Vehicle-wheel lock	T. Firth	16450	8 June ..	60	23 July.
Vending machine. (See Newspaper-vending machine.)					
Venetian blinds, Operating	G. Stevenson	16190	4 April ..	29	16 April.*
Ventilation of sewer	R. R. Donaldson	16197	6 April ..	29	16 April.
Ventilator	S. H. Jacobson	16512	18 June
Ventilator, Double-current	H. I. M. Ross	16368	13 May ..	47	11 June.
Ventilator for window-sash	A. P. Masters	16441	6 June ..	47	11 June.*
Ventilator, Ship's	T. Q. East	16225	14 April ..	33	30 April.*
Ventilator, window-blind, and fire-screen..	E. Walker	16552	26 June ..	57	9 July.*
Vessel, Raising sunken	D. C. Groves and A. R. Stanton..	16096	16 March ..	37	14 May.
Vessels, Draw-off attachment for	L. E. and H. J. Saunders	16534	24 June ..	60	23 July.
Vulcanised outer cover for tires	G. T. Shilton and A. Schultze ..	16196	2 April ..	29	16 April.*
Wagon. (See Tip-wagon.)					
Walls, Covering of	J. R. Watt	16485	13 June ..	50	25 June.*
Washer	J. Orbell	16201	3 April ..	29	16 April.*
Wash-hand basin	F. W. Gordon	16298	27 April ..	37	14 May.
Washing and drying wool	H. Ashworth	16311	7 May ..	43	28 May.
Washing-copper	C. Slemitz	15064	30 June, 1902	29	16 April.
Washing crockery, Apparatus for	L. Davie	16423	1 June ..	50	25 June.*
Washing-machine	S. J. Osmond	16285	30 April
Watches, Luminous rim for	J. S. Gray	16388	22 May ..	47	11 June.*
Water-filter	J. T. N. Anderson	15756	11 Dec., 1902	43	28 May.
Water-gauge for steam-boilers..	R. P. Gibbons	16425	2 June ..	50	25 June.
Water-power, Driving dredge by	J. T. Johnson	15086	3 July, 1902	29	16 April.
Waterproof-hood	C. F. Giesen	16357	15 May ..	43	28 May.*
Waterproofing composition	J. Taylor	16280	25 April ..	37	14 May.*
Waterproofing composition	A. F. Roy	15263	15 Aug., 1902	43	28 May.
Water-purifier for tank	J. W. Mulhare	16471	4 June ..	50	25 June.*
Weighing and delivery machine	A. J. Park and H. M. Thorpe ..	16289	17 April ..	33	30 April.
Weighing and measuring milk	E. W. Lloyd	16346	14 May ..	43	28 May.*
Weighing and tallying carcasses	E. Moss	16250	17 April ..	33	30 April.*
Weighing-machine	J. F. Clarke	16463	10 June ..	57	9 July.
Wheelbarrow	J. T. Kibblewhite and R. W. Short	16391	27 May ..	47	11 June.*
Wheel, Boot-finishing	G. H. Catt	15350	4 Sept., 1902	43	28 May.
Wheel-lock and horse-stopper	T. Firth	16450	8 June ..	60	23 July.
Wheel-lock, Bicycle-	L. S. H. Hutton	16251	18 April ..	37	14 May.*
Wheel lock, Vehicle	A. Cooper	15232	7 Aug., 1902	43	28 May.
Wheel, Road-vehicle	J. Ainsworth	16241	15 April ..	37	14 May.
Wheel-scraper for agricultural implements	A. E. Watson	16527	19 June ..	60	23 July.
Wheel, Vehicle, &c.,	D. Pope	16203	3 April ..	29	16 April.*
Windmill	W. Cousens	16267	24 April ..	33	30 April.*
Windmill-lubricator	J. O'Neil	16290	29 April ..	43	28 May.*
Windmill, motion-changing gear	J. Alston	16208	8 April ..	33	30 April.
Window	A. Pepler	16447	8 June ..	57	9 July.*
Window, Anti-rattling device for	W. G. Stevenson	16399	28 May
Window-blind, ventilator, and fire-screen	E. Walker	16552	26 June ..	57	9 July.*
Window-fastener	P. Gavin	16545	22 June ..	60	23 July.*
Window-lock	J. McKay	16322	6 May ..	37	14 May.*
Window-locks	C. N. Scurr	16215	7 April ..	33	30 April.*
Window safety-lock	M. R. Green	16301	6 May ..	37	14 May.*
Window-sash balancing	C. L. Stokes	16237	16 April ..	33	30 April.*
Window-sashes, Securing cards to	J. Armstrong	15449	26 Sept., 1902	57	9 July.
Window-sash fastener	W. T. Michelli	15010	17 June, 1902	37	14 May.
Window-sash hanger	W. J. Alexander	16067	9 March ..	37	14 May.
Window-sash lock	J. Hessey	16223	14 April ..	33	30 April.*
Window-sash retainer	S. Lintern	16265	22 April ..	33	30 April.*
Wire-clip	A. E. Jensen	16430	2 June ..	47	11 June.*
Wire coiler and uncoiler	A. A. McIlwraith	15065	27 June, 1902	47	11 June.
Wire-fastener	A. E. Jensen	16429	2 June ..	47	11 June.*
Wire-fencing standard and dropper	L. H. McHardy	16456	6 June ..	50	25 June.
Wire staple for bookbinding	E. M. McLauchlan	16171	2 April ..	29	16 April.*
Wire-strainer	R. F. Gorman	16282	30 April ..	37	14 May.
Wire-tightener	C. E. Hayward, jun..	15590	3 Nov., 1902	43	28 May.
Wire-twister, file, &c.	A. Gray	15267	15 Aug., 1902	43	28 May.
Wire twisting and straining	G. C. Clarke	16410	29 May ..	47	11 June.*
Wire-weaver machines, Coiler and spindle for	D. McKenzie	16454	4 June ..	50	25 June.*
Wooden-tramway traction.	W. L. Luxford	15056	30 June, 1902	29	16 April.
Wool, Pulling out strands of	F. Wilkinson	16257	22 April ..	33	30 April.*

ALPHABETICAL LIST OF INVENTIONS—continued.

Invention.	Name.	Application.		Gazette.	
		No.	Date.	No.	Date.
Wool washing and drying	H. Ashworth	16311	7 May ..	43	28 May.
Yoking horse, &c., teams	W. H. Cochrane	15189	29 July, 1902	37	14 May.
Yoking-in horses	A. R. McIntyre	16480	10 June ..	57	9 July.*
Zinc, Distillation of	C. G. P. de Laval	16416	27 May ..	50	25 June.

List of Applicants for Registration of Designs.

A LPHABETICAL list of applicants for registration of designs during quarter ending 30th June, 1903.

Name and Address.	No. of Class.	Design.		Gazette.	
		No.	Date.	No.	Date.
Fisher, C. W., Christchurch, N.Z.	2	182	8 June ..	47	11 June.
Frank, A. J., Auckland, N.Z.	1	181	6 June ..	50	25 June.
Harding and Billing, Auckland, N.Z. ..	5	183	12 June ..	50	25 June.
Kline, C. B., Christchurch, N.Z.	2	178	29 April ..	97	14 May.
New Zealand Times Company, Limited, The, Wellington, N.Z.	5	180	5 June ..	50	25 June.
Schatz and Co., L., Wellington, N.Z. ..	2	184	20 June ..	57	9 July.
Stewart, Dawson, and Co., Wellington, N.Z. ..	1	179	7 May ..	37	14 May.

List of Applicants for Registration of Trade Marks.

A LPHABETICAL list of applicants for registration of trade marks for quarter ending the 30th June, 1903 (including also applications lodged prior to but gazetted during such quarter).

Name.	Address.	Class.	Application.		Gazette.	
			No.	Date.	No.	Date.
Abrahams, L.	Melbourne, Vic.	45	4233	10 June
Abrahams, L.	Melbourne, Vic.	45	4234	10 June ..	50	25 June.
Ainslie, J., and Co.	Leith, Scotland	43	4254	24 June
Ansonia Clock Company, The	New York, U.S.A., and London, Eng.	10	4205	18 May ..	43	28 May.
Ardath Tobacco Company	London, Eng.	45	4208	20 May ..	70	3 Sept.
Armstrong, J., and Co.	Auckland, N.Z.	13	4253	23 June ..	57	9 July.
Barlow and Jones, Limited	Manchester, Eng.	38	4241	12 June ..	50	25 June.
Barlow and Jones, Limited	Manchester, Eng.	24	4256	24 June ..	57	9 July.
Barlow and Jones, Limited	Manchester, Eng.	27	4257	24 June ..	57	9 July.
Barlow and Jones, Limited	Manchester, Eng.	24	4258	24 June ..	57	9 July.
Barlow and Jones, Limited	Manchester, Eng.	27	4259	24 June ..	57	9 July.
Barlow and Jones, Limited	Manchester, Eng.	24	4260	24 June ..	57	9 July.
Barlow and Jones, Limited	Manchester, Eng.	27	4261	24 June ..	57	9 July.
Barraud and Abraham	Palmerston North, N.Z. ..	42	4162	15 April ..	33	30 April.
Barraud and Abraham	Palmerston North, N.Z. ..	42	4163	15 April ..	33	30 April.
Baugh. (See de Baugh.)
Bayer and Co., C.	London, Eng.	38	4195	12 May ..	63	6 August.
Bayer and Co., C.	London, Eng.	38	4196	12 May
Beattie, Lang, and Co.	Wellington, N.Z.	42	4166	17 April ..	33	30 April.
Beattie, Lang, and Co.	Wellington, N.Z.	42	4244	16 June ..	50	25 June.
Bickford and Sons, Limited, A. M. ..	Adelaide, South Aus. ..	3	4216	2 June ..	47	11 June.
Bickmore Gall Cure Company	Old Town, U.S.A.	2	4192	7 May ..	60	23 July.
Bonnington, G., Executors of	Christchurch, N.Z.	42	4255	24 June ..	57	9 July.
British-American Tobacco Company ..	London, Eng.	45	4237	11 June ..	50	25 June.
British-American Tobacco Company ..	London, Eng.	45	4238	11 June ..	50	25 June.
British-American Tobacco Company ..	London, Eng.	45	4239	11 June ..	50	25 June.
Broughton, M. E.	Auckland, N.Z.	3	4230	9 June
Buchanan and Co., J. (See J. Buchanan.)
Buchanan, J.	London, Eng.	43	4151	1 April
Burrell and Co., D. H.	Little Falls, New York, U.S.A.	8	4204	18 May
Bush, T.	Wellington, N.Z.	37, 38,	4170, 1	20 April
Butters, H., and another	Havelock North, N.Z. ..	2	4168	18 April ..	33	30 April.
Butters and Hickman. (See H. Butters and T. M. Hickman, No. 4168.)
Cameron and Co., Limited, W. R. ..	Dunedin, N.Z.	42	4172	24 April ..	33	30 April.
Cammell and Co., Limited, C.	Sheffield, Eng.	5	4158	8 April ..	29	16 April.

ALPHABETICAL LIST OF APPLICANTS FOR REGISTRATION OF TRADE MARKS—*continued.*

Name.	Address.	Class.	Application.		Gazette.	
			No.	Date.	No.	Date.
Campbell, G.	Auckland, N.Z. ..	42	4221	5 June ..	57	9 July.
Chipman, H. S.	Sydney, N.S.W. ..	6	4273	30 June ..	57	9 July.
Clarke and Co., I. P. Cloux. (See Le Cloux.)	Leicester, Eng. ..	23	3800	28 May, 1902	25	2 April.
Connell, J., and Company Proprietary, Limited	Sydney, N.S.W. ..	42	4236	10 June ..	60	23 July.
Copithorne, J. W.	Wellington, N.Z. ..	9	4209	21 May ..	47	11 June.
Cotton, F. H.	Christchurch, N.Z. ..	22	4182	29 April ..	37	14 May.
Crump, W. C.	Sydney, N.S.W. ..	38	4264	25 June ..	60	23 July.
De Baugh, H. W.	Auckland, N.Z. ..	6	4211	22 May ..	47	11 June.
Distillers Company, Limited	Edinburgh, N.B. ..	43	4272	30 June
Dixson Tobacco Company, Limited	Sydney, N.S.W. ..	45	4217	2 June ..	50	25 June.
Dixson Tobacco Company, Limited	Sydney, N.S.W. ..	45	4218	2 June ..	50	25 June.
Dutton, E., and another	Auckland, N.Z. ..	3	4215	30 May ..	47	11 June.
Dutton, P.	Auckland, N.Z. ..	3	4212	26 May ..	47	11 June.
Dutton, P.	Auckland, N.Z. ..	47	4267	27 June
Dutton, R. A.	Auckland, N.Z. ..	3	4153	3 April ..	47	11 June.
Dutton, R. A., and another	Auckland, N.Z. ..	3	4215	30 May ..	47	11 June.
Eagle Cigarette Company, The. (See J. Jeffs, No. 4142.)						
Finer, E. M.	Auckland, N.Z. ..	3	4232	10 June ..	50	25 June.
Gaudin, A. H.	Melbourne, Vic. ..	22	4268	17 June ..	57	9 July.
Gaudin, A. H.	Melbourne, Vic. ..	40	4277	17 June ..	57	9 July.
Gerhard Mennen Chemical Company, The	Newark, U.S.A. ..	48	4198	13 May ..	43	28 May.
Gibbons, H. B.	Wanganui, N.Z. ..	49	4169	18 April ..	33	30 April.
Gordon and Co. (See C. M. Gordon, No. 4266.)						
Gordon, C. M.	Christchurch, N.Z. ..	47	4266	26 June ..	60	23 July.
Hall and Co., Limited, J.	Christchurch, N.Z. ..	42	4213	27 May ..	47	11 June.
Hayward Bros. and Co., Limited	Christchurch, N.Z. ..	42	4240	11 June ..	60	23 July.
Hickman, T. M., and another	Wolverhampton, Eng. ..	2	4168	13 April ..	33	30 April.
Hohenlohe Nahrungsmittelfabrik Lim, The	Gerabronn, Germany ..	42	4191	7 May ..	37	14 May.
H. O. (Hornby's Oatmeal) Company, The	Buffalo and New York, U.S.A. ..	42	4243	12 June ..	50	25 June.
Howell and Co. (See W. Meyerstein and Co., No. 4154.)						
Hudson and Co., J. (See C. Hudson, No. 4193.)						
Hudson, C.	London, Eng. ..	50	4193	8 May ..	66	20 August.
Jeffs, J.	Dunedin, N.Z. ..	45	4142	19 March ..	50	25 July.
Kempthorne, Prosser, and Co.'s New Zealand Drug Company, Limited	Dunedin, Christchurch, Auckland, and Welling- ton, N.Z. ..	2	4248	19 June ..	66	20 August.
Kempthorne, Prosser, and Co.'s New Zealand Drug Company, Limited	Dunedin, Christchurch, Auckland, and Welling- ton, N.Z. ..	3	4249	19 June ..	66	20 August.
Kempthorne, Prosser, and Co.'s New Zealand Drug Company, Limited	Dunedin, Christchurch, Auckland, and Welling- ton, N.Z. ..	3	4250	19 June ..	50	25 June.
Kempthorne, Prosser, and Co.'s New Zealand Drug Company, Limited	Dunedin, Christchurch, Auckland, and Welling- ton, N.Z. ..	47	4251	19 June ..	66	20 August.
Kempthorne, Prosser, and Co.'s New Zealand Drug Company, Limited	Dunedin, Christchurch, Auckland, and Welling- ton, N.Z. ..	50	4252	19 June ..	66	20 August.
Knox, C. B.	Johnstown, U.S.A. ..	3	4174	24 April ..	33	30 April.
Lambert Pharmacal Company	St. Louis, U.S.A. ..	2	4222	5 June ..	47	11 June.
Lanman and Kemp	New York, U.S.A. ..	48	4159	9 April ..	33	30 April.
Le Cloux and Co., J. B. S.	Wellington, N.Z. ..	42	4177	27 April ..	33	30 April.
Lever Bros., Limited	Balmain, N.S.W. ..	47	4206	20 May ..	47	11 June.
Lever Bros., Limited	Balmain, N.S.W. ..	48	4207	20 May ..	47	11 June.
Lever Bros., Limited	Sydney, N.S.W. ..	47	4269	30 June ..	60	23 July.
Lever Bros., Limited	Sydney, N.S.W. ..	48	4270	30 June ..	60	23 July.
Linley, F. M.	Castlemaine, Vic. ..	38	4214	28 May ..	47	11 June.
Love, J.	Green Island, N.Z. ..	22	4167	17 April ..	33	30 April.
Luke, S., and Co., Limited	Wellington, N.Z. ..	18	4247	19 June ..	60	23 July.
Lysaght, Limited, J.	Bristol, Eng. ..	5	4224	5 June ..	47	11 June.
MacEwen, J. B., and Co.	Wellington, N.Z. ..	7	4245	17 June ..	60	23 July.
Mackintosh, Limited, J.	Halifax, Eng. ..	42	4164	15 April ..	37	14 May.
Mackintosh, Limited, J.	Halifax, Eng. ..	42	4165	15 April ..	37	14 May.
Martins. (See A. H. Gaudin, Nos. 4268 and 4277.)						
Meyerstein and Co., W.	London, Eng. ..	42	4154	4 April ..	37	14 May.
Meyerstein and Co., W.	London, Eng. ..	42	4155	4 April
Miller, T.	Masterton, N.Z. ..	3	4262	25 June

ALPHABETICAL LIST OF APPLICANTS FOR REGISTRATION OF TRADE MARKS—continued.

Name.	Address.	Class.	Application.		Gazette.	
			No.	Date.	No.	Date.
Molls Bros. (See H. Molls, No. 4202.)						
Molls, H.	Melbourne, Vic.	34	4202	14 May	63	6 August.
Murdoch, A., and Co.	Dunedin, N.Z.	47	4210	22 May
Nathan, J., and Co., Limited	Wellington, N.Z.	42	4242	12 June	50	25 June.
Nelson, Moate, and Co., Limited	Wellington, N.Z.	42	4185	4 May
New York and Brooklyn Tobacco Company, Limited	Sydney, N.S.W.	45	4235	10 June	50	25 June.
New Zealand Candle Company, Limited	Wellington, N.Z.	47	4226	6 June	50	25 June.
Oddy and Co., W.	Bradford, Eng.	34	4150	1 April	29	16 April.
Otis, McAllister, and Co.	San Francisco, U.S.A.	47	4156	6 April	29	16 April.
Otis, McAllister, and Co.	San Francisco, U.S.A.	42	4197	12 May	43	28 May.
Otis, McAllister, and Co.	San Francisco, U.S.A.	42	4157	6 April
Paterson and Co., A. S.	Wellington, N.Z.	42	4183	30 April	37	14 May.
Pidgeon and Co., Limited, E. W.	Christchurch, N.Z.	45	4180	29 April	37	14 May.
Pidgeon and Co., Limited, E. W.	Christchurch, N.Z.	45	4181	29 April	37	14 May.
Ramsay, K. S.	Dunedin, N.Z.	47	4200	13 May	43	28 May.
Renard Lorimer and Co.	Melbourne, Vic.	45	4219	4 June	47	11 June.
Renard Lorimer and Co.	Melbourne, Vic.	45	4220	4 June	47	11 June.
Rongotea Co-operative Dairy Company, Limited, The	Rongotea, N.Z.	42	4184	4 May	37	14 May.
Rosman, S.	Christchurch, N.Z.	45	4227	8 June	47	11 June.
Rosman, S.	Christchurch, N.Z.	45	4228	8 June	47	11 June.
Sargood, Son, and Ewen	New Zealand	38	4223	5 June	47	11 June.
Scott, G. H.	Wellington, N.Z.	13	4152	1 April	29	16 April.
Scott, G. R.	Dunedin, N.Z.	6	4194	11 May	37	14 May.
Scott, G. M.	Dunedin, N.Z.	18	4225	5 June	47	11 June.
Simmons, M.	Sydney, N.S.W.	19	4176	25 April
Singer Manufacturing Company, The	London, Eng.; Glasgow, Scotland; & Elizabethport, U.S.A.	6	4186, 7	6 May	37	14 May.
Singer Manufacturing Company, The	London, Eng.; Glasgow, Scotland; & Elizabethport U.S.A.	6	4188, 9	6 May	43	28 May.
Sniders and Abrahams. (See L. Abrahams, Nos. 4233 and 4234.)						
South British Packing Company. (See A. S. Paterson and Co., No. 4183.)						
Southall Bros. and Barclay, Limited	Birmingham, Eng.	3	4173	24 April	33	30 April.
Spim Company. (See C. B. Knox, No. 4174.)						
Standard Paint Company	New York, U.S.A.	1	4160	9 April
Standard Paint Company	New York, U.S.A.	41	4161	9 April
Stoddard, F., and Co.	Christchurch, N.Z.	48	4229	8 June	50	25 June.
Tooth and Co., Limited	Sydney, N.S.W.	43, 44	4010, 1	27 Nov., 1902	29	16 April.
Turnbull, W. and G., and Co.	Wellington, N.Z.	42	4231	9 June
Turner and Turner	Wellington, N.Z.	42	4199	13 May
Union Clothing Company. (See T. Bush, Nos. 4170 and 4171.)						
Union Oil, Soap, and Candle Company, Limited	Auckland, N.Z.	47	4178	28 April	37	14 May.
Union Oil, Soap, and Candle Company, Limited	Auckland, N.Z.	42	4179	28 April
Waldberg and Co., Gesellschaft mit Beschränkter Haftung	Berlin, Germany	8	4175	24 April
Wanganui Supply and Agency Company, Limited	Wanganui, N.Z.	47	4263	25 June	57	9 July.
Ward, G.	Christchurch, N.Z.	42	4246	18 June	57	9 July.
Welsbach Light Company of Australasia, Limited	London, Eng.	18	4265	25 June	57	9 July.
Wertheim, H.	Melbourne, Vic.	6	4190	7 May	37	14 May.
Wills, W. D. and H. O. (Australia)	Bristol, Eng.	50	4201	14 May
Winterbottom Book Cloth Company, Limited	Manchester, Eng.	39	4271	30 June	57	9 July.
Wright, Stephenson, and Co.	Dunedin, N.Z.	2	4203	15 May	43	28 May.

ILLUSTRATIONS OF INVENTIONS.

[These illustrations refer to the complete specifications accepted, and advertised in this *Gazette*.]

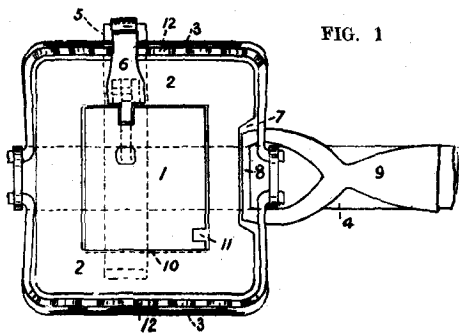


FIG. 1

15487
Black. Animal-trap.

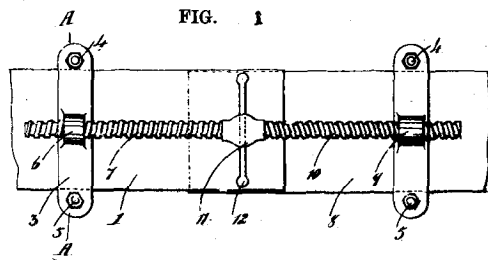


FIG. 1

15747
Pike. Belt-tightener.

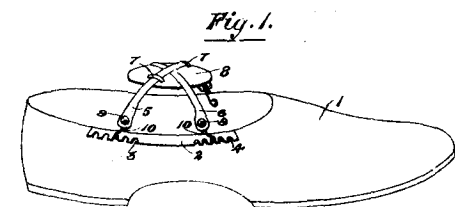


Fig. 1.

15744
Sprey. Shoe-fastener.

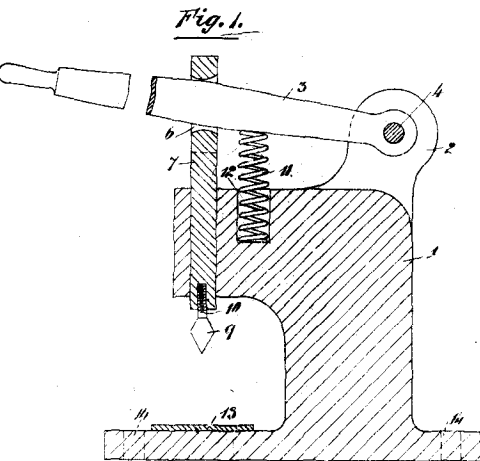


Fig. 1.

15705
Cherrie. Oyster-opener.

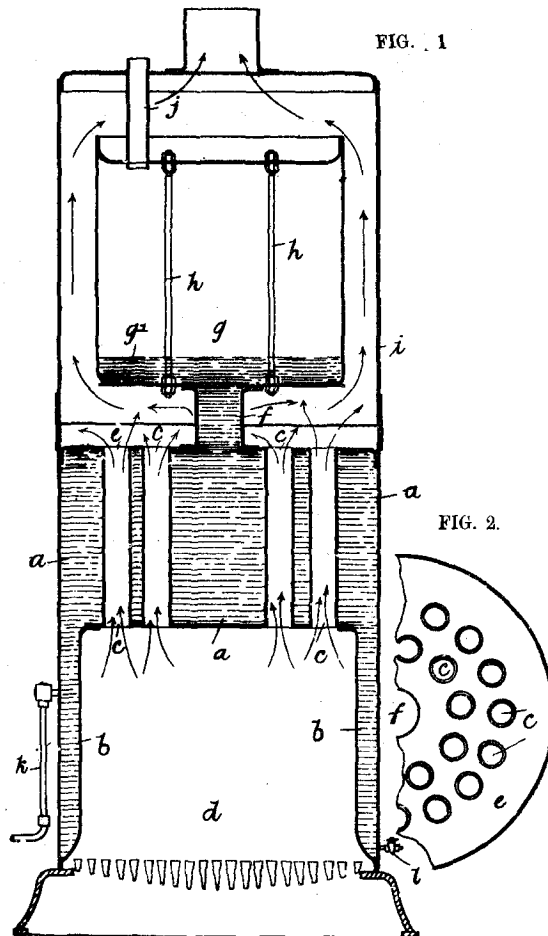


FIG. 1

FIG. 2.

15677
F. F., L. B., A. C., and H. W. Coulsell. Boiler.

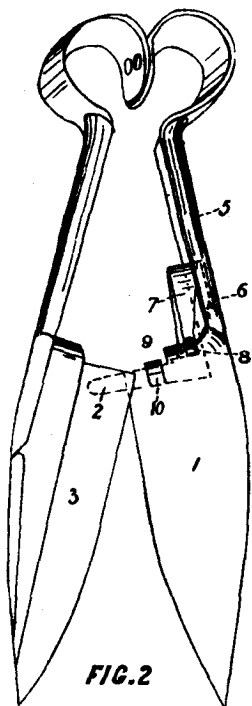


FIG. 2

15976
Reid. Shears.

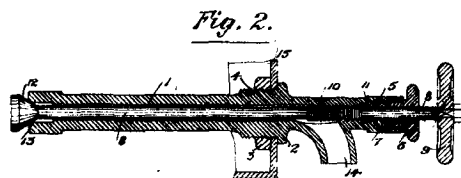


Fig. 2.

16112
Ibbotson. Draw-off.

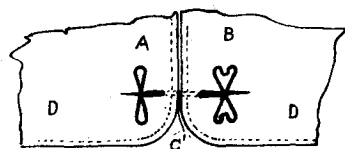
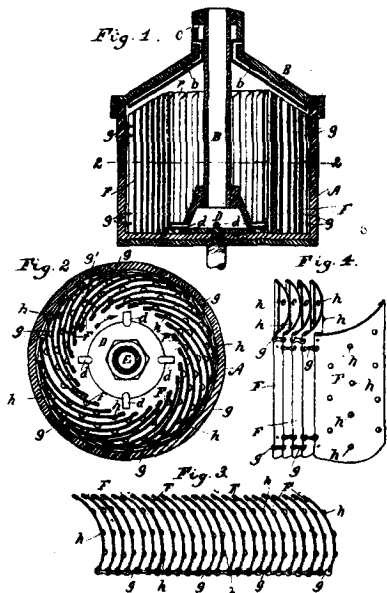


FIG. 8.

16448
Mainland. Cuff-fastener.



16739
Harvey. Liquid-separator. (Burrell—Hoyt.)

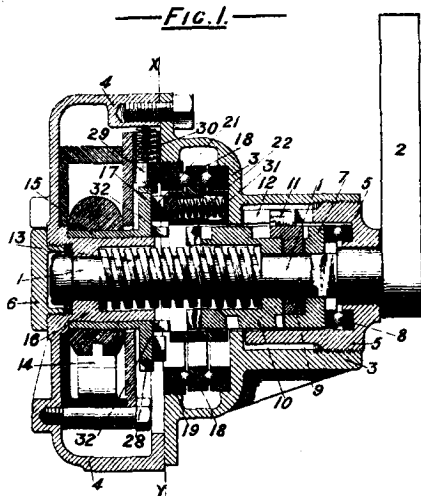
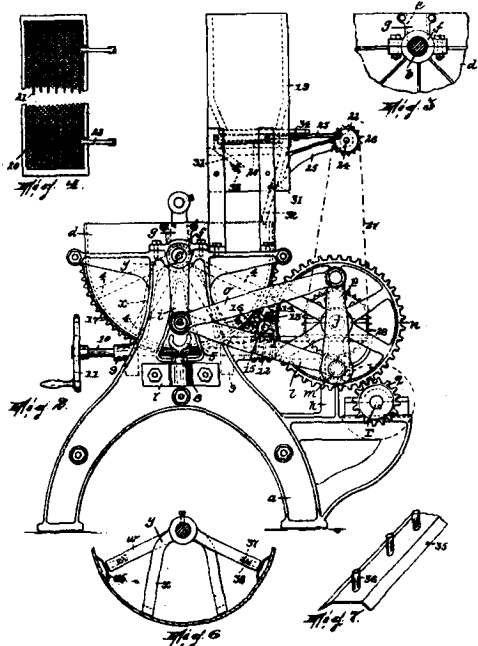


FIG. 1.

16501
Kingsland. Electric Switch.



16743
Wieda. Mixing-machine.

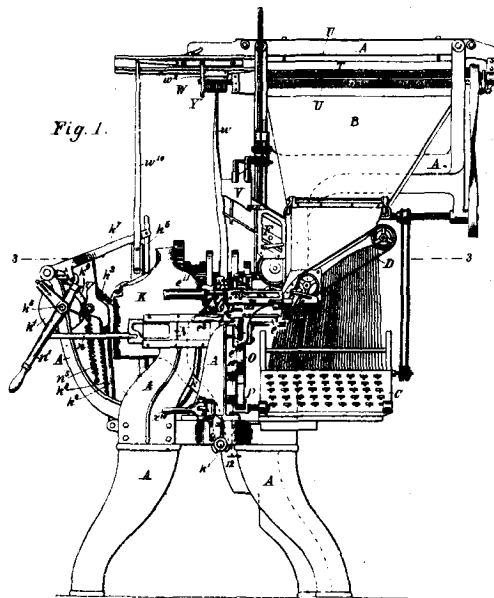
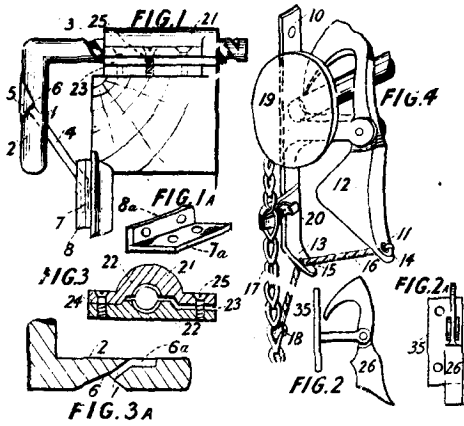
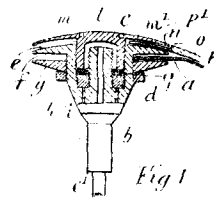


Fig. 1.

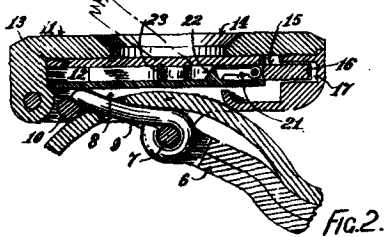
16744
Poe and Scharf. Linotype Machine.



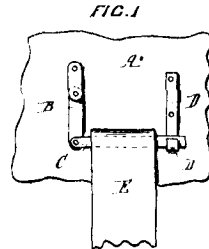
16418 Lorie. Sash-fastener.



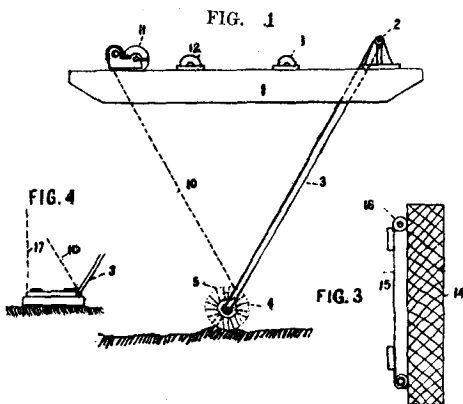
16740 Turri. Football-valve. (McKay.)



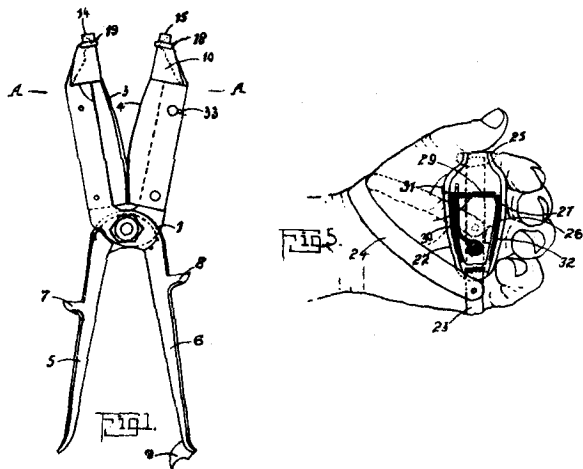
16753 Channon. Seal-lock. (Russell.)



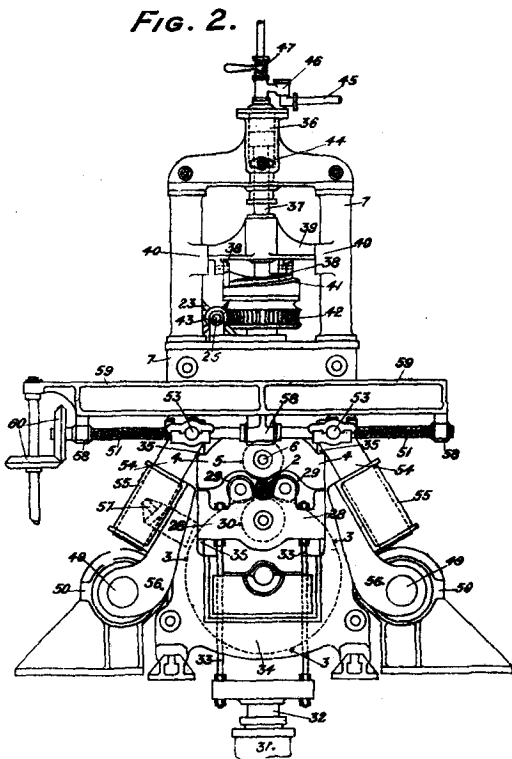
16768 Robson and Coogan. Saddle Stirrup-bar.



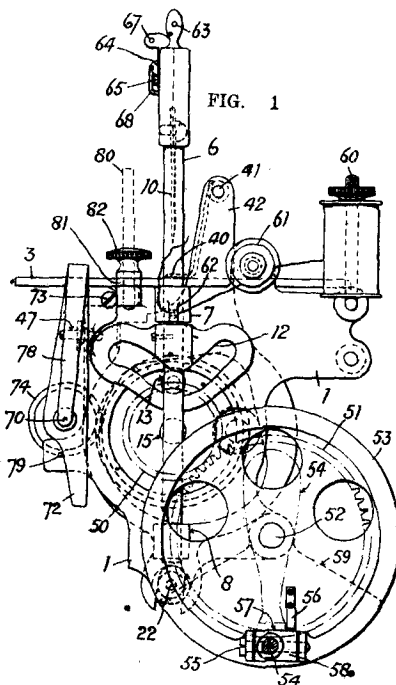
16761 Coomber. Gold-raising Means.



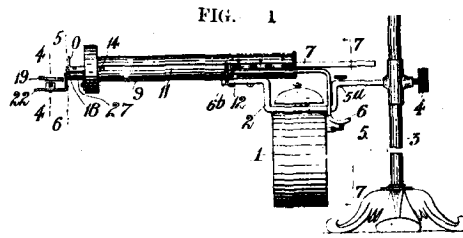
16780 Wilhelm. Castrating Appliance.



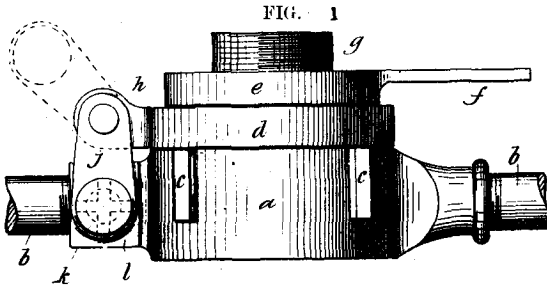
16782 McTear and Gibson. Manufacture of Tubes.



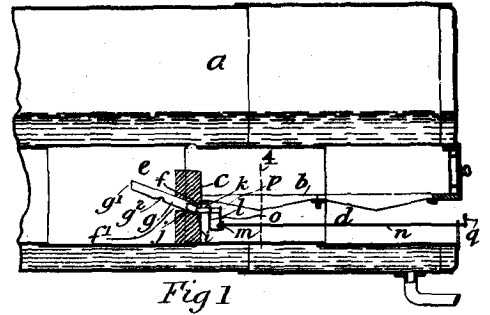
16747 Manning. Lock-stitch Sewing-machine.



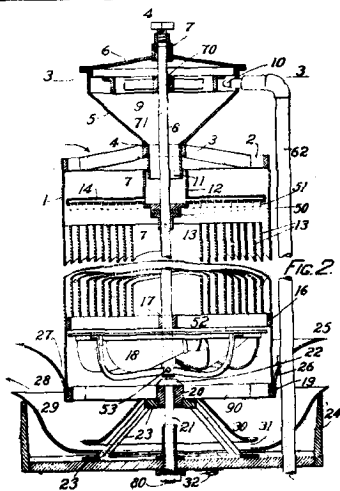
16784
Coleman. Match-igniter.



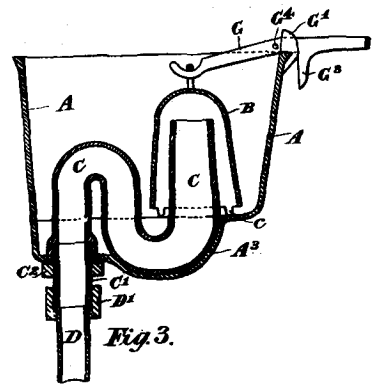
16783
Vorbach. Screw-cutter.



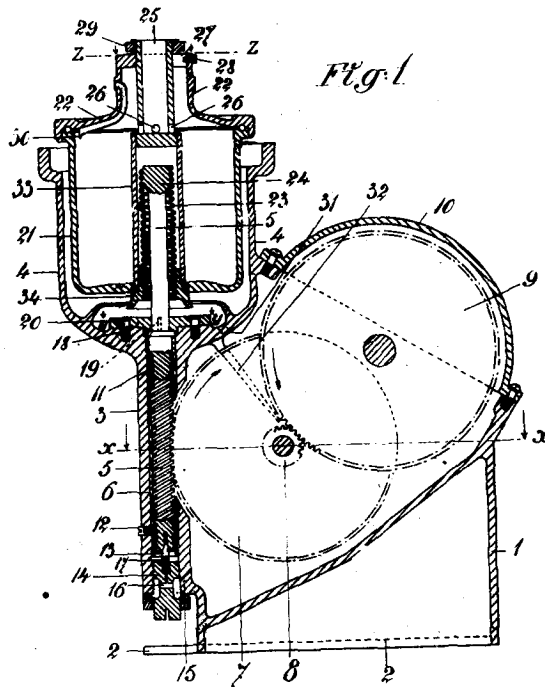
16795
Brown and Norton. Firebridge.



16808
Regenerated Cold Air Company. Air-treating
Apparatus. (White.)



16794
Moutcaith. Flushing-cistern.



16804
Remnerfelt. Liquid-separator.